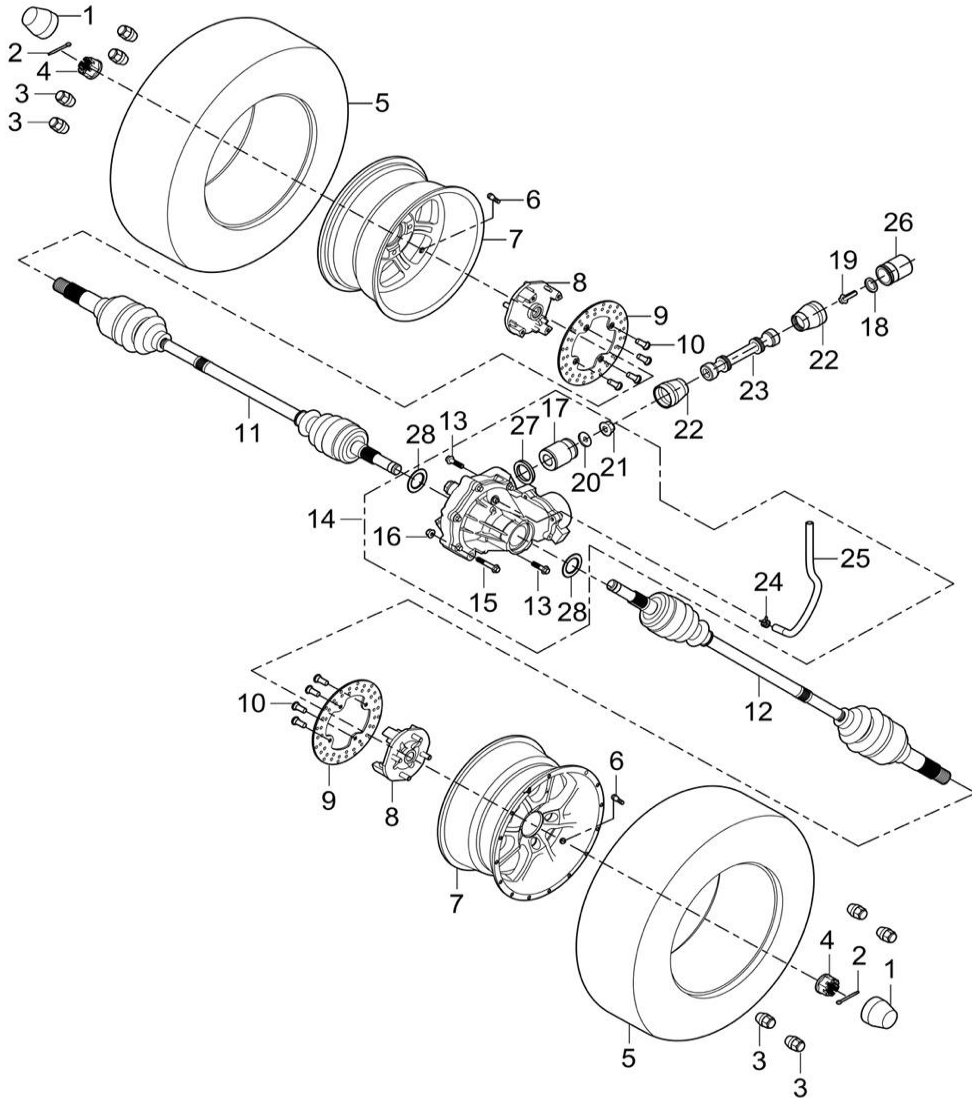


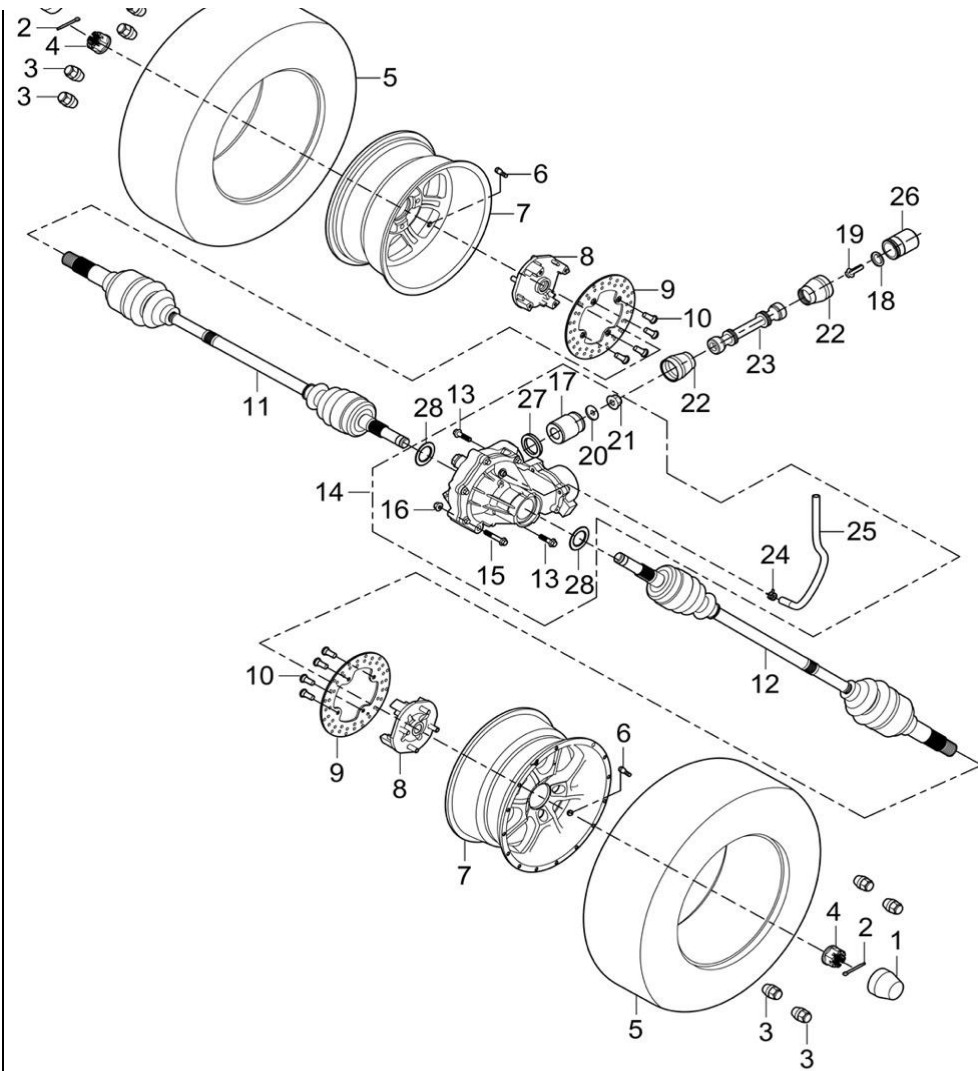
1、Front drive system assembly



Item No.	ERP	English name	Specificat ion	Quantity
1	10405230020	Wheel Dust-Proof Cover		2
2	05011400405	Cotter pin 4.0x40		2
3	04322120021	Acorn nut 12x1.25	M12x1.25	8
4	04812220022	Slotted flange nut 22x1.5	M22x1.5	2
5	13605030480	Front Tire 26x9-14	26x9-14	2
6	10405230030	Air Valve		2
7	17005030280	Front Rim(Steel)		2
7	13605030400	Front Rim 14x7	14x7	2
8	15101030000	Front wheel-hub		2
9	17006010020	Front brake disc		2
10	01824080201	Allen T type bolt 8x20	M8x20	8
11	17001230000	Front C.V. shaft, RH		1
12	17001220000	Front C.V. shaft, LH		1
13	01256100206	Hex Flange Bolt 10x20x1.25	M10x20x1.25	2
14	21120100002	Front differential		1
15	01256100956	Hex Flange Bolt 10x95x1.25	M10x95x1.25	1
16	04622100026	Heagon flange locking nut 1	M10x1.25	1
17	17003100710	Front Axle - Spline Sleeve		1
18	060214291235	Washer 29.5x12.5x3.5	φ29.5×φ12.5×3.5	1
19	21051001501	Bolt 12x1.25x25	m12x1.25x25	1
20	21120104801	Sealing Ring	φ14x6.8	1
21	21120102701	Heagon flange locking nut 14x1.5	M14x1.5	1
22	17003110030	Front transmission shaft holster		2
图号 Item No.	ERP 配件编号	英文名称 English name	型号 Specificat ion	单车数量 Quantity
23	21170101801	Front transmission shaft		1

1、前驱动系统总成Front drive system assembly





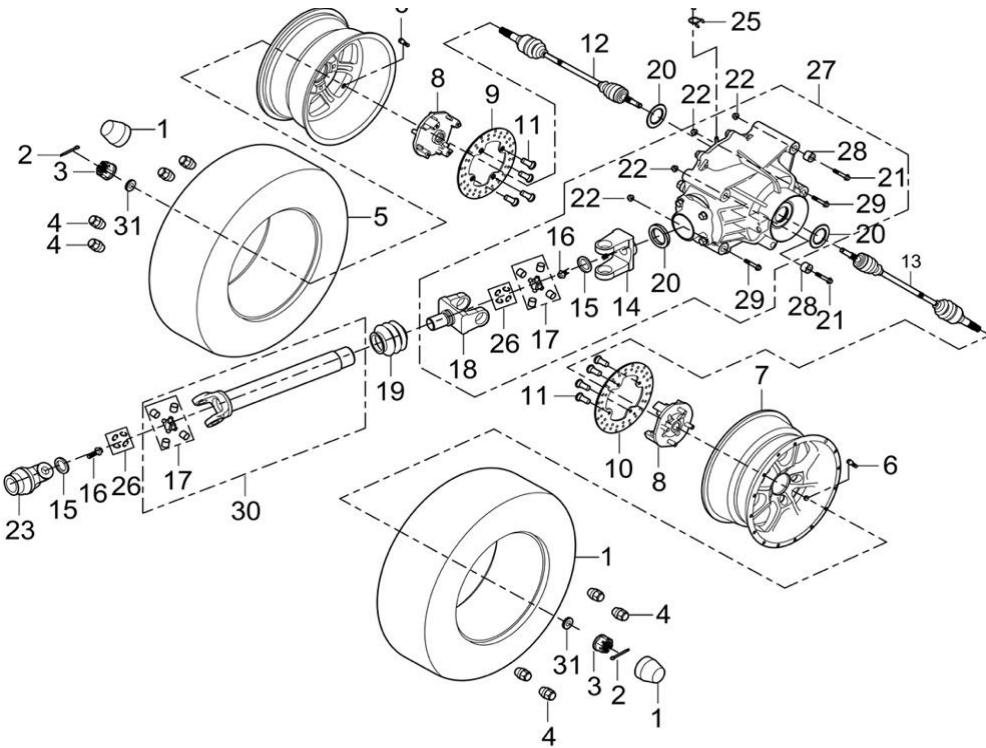
2、后驱动系统总成 Rear drive system assembly

24	21160401601	Wire Clamp		1
25	21130103101	Front differential ventilation tube		1
26	17003100110	Spline Bushing		1
27	11010486512	Front transmission shaft oil seal		1
28	11010243808	Front C.V. shaft seal		2
29	06219154235	Washer	φ14.5×φ42×3	
30				
31				
32				
33				
34				
35				
36				
37				
38				
39				
40				
41				
42				
43				
44				
45				
图号 Item No.	ERP 配件编号	英文名称 English name	型号 Specificat ion	单车数量 Quantity
1	10405230020	Wheel Dust-Proof Cover		2
2	05011400405	Cotter pin 4.0x40	φ4.0x40	2
3	04812224022	Slotted flange nut 24x1.5	M24x1.5	2
4	04322120021	Acorn nut 12x1.25	M12x1.25	8

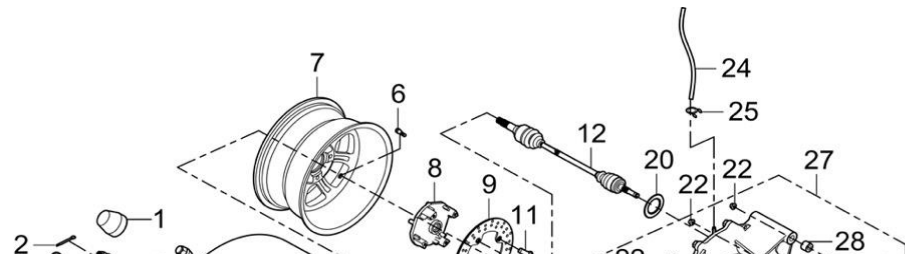
7

6

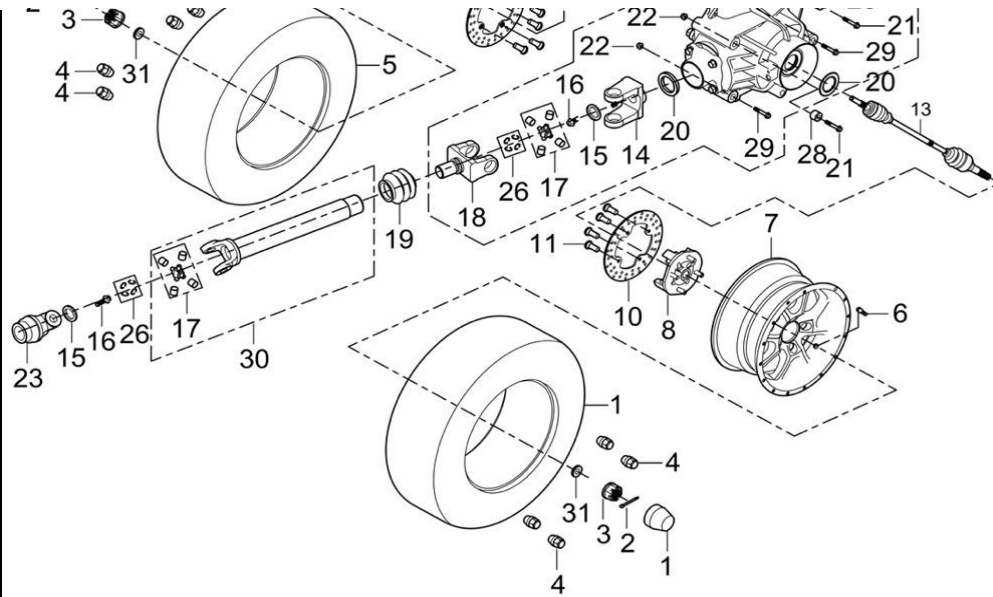
24



2、后驱动系统总成Rear drive system assembly



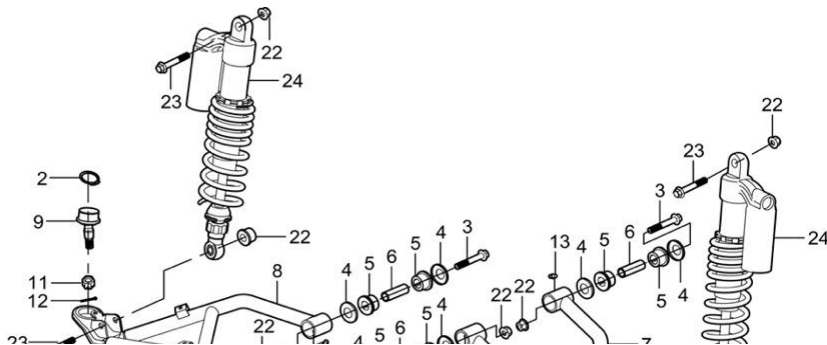
5	13605030420	Rear Tire 26x11-14	26x11-14	2
6	10405230030	Air Valve		4
7	17005040210	Rear Rim(Steel)		2
7	13605040260	Rear Rim 14x8	14x8	2
8	15101040000	Rear wheel-hub		2
9	17006010350	Rear brake disc,LH		1
10	17006010340	Rear brake disc, RH		1
11	01826080205	Allen T type bolt 8x20	M8x20	8
12	17001250000	Rear C.V shaft, RH		1
13	17001240000	Rear C.V shaft, LH		1
14	17003130110	Nuckle fork		1
15	06119112835	Washer	φ10.5xφ28x3	1
16	01256100256	Hex Flange Bolt	M10x25x1.25	1
17	17003130120	Cross shaft fork		2
18	17003130130	Rear nuckle fork		1
19	17003130030	Rear transmission shaft holster		1
20	11010035507	Half shaft oil seal	φ 35x φ 50x7	3
21	01256101306	Hex Flange Bolt	M10x130x1.25	2
22	04622100026	Heagon flange locking nut 1	M10x1.25	4
图号 Item No.	ERP 配件编号	英文名称 English name	型号 Specificat ion	单车数量 Quantity
23	17003130100	Rear drive sliding nuckle fork (1000CC)		
23	17303130100	Rear drive sliding nuckle fork (650CC/800CC)		1
24	17007020130	Rear differential ventilation t	680mm	1
25	11904070030	Spring hose clip	φ8	1
26	07011250004	C-clamp	φ 25	8
27	17003120000	Rear differential		1
27	17003120100	Rear reducer (regular)		1

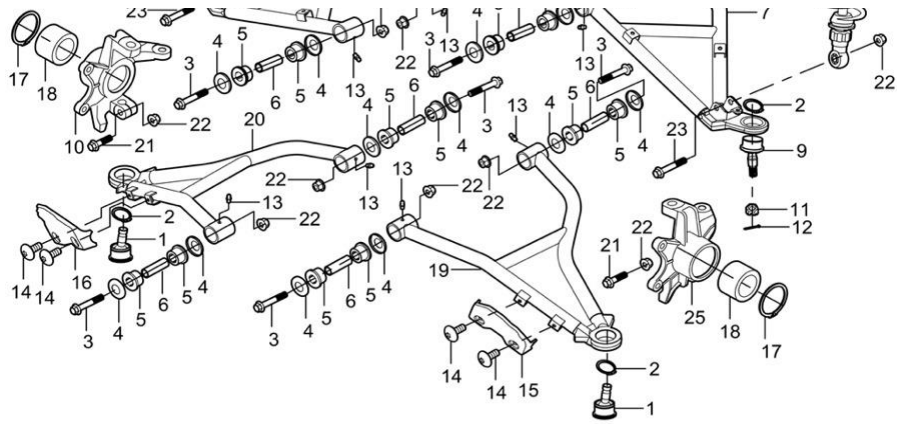


28	17003120820	Rear axle bushings		2
29	01256101206	Hex Flange Bolt	M10x120x1.25	2
30	17303130090	Rear drive shaft cross shaft assembly (short version)		1
30	17003130090	Rear drive shaft cross shaft assembly (long version)		1
31	15101230010	Front butterfly washer φ22.5	φ22.5xφ42x5	2
32				
33				
34				
35				
36				
37				
38				
39				
40				
41				
42				

3、前悬挂总成 Front suspensio system

图号 Item No.	ERP 配件编号	英文名称 English name	型号 Specificat ion	单车数量 Quantity
1	13601190021	Ball joint	φ 34	2
2	07031340004	Snap ring	φ 34	4
3	01256100756	Hex Flange Bolt 10x75x1.25	M10x75x1.25	8
4	13601070030	A-Arm Nylon Sleeve Cover		16
5	10401070020	A-arm nylon sleeve Cover		16
6	13601070010	A-arm inner sleeve		8
7	17001060010	Uppere A-arm, LH, FR		1
8	17001070080	Uppere A-arm, RH, FR		1
9	10401190000	Ball joint		2
10	17005220030	Steering Knuckle, RH		1

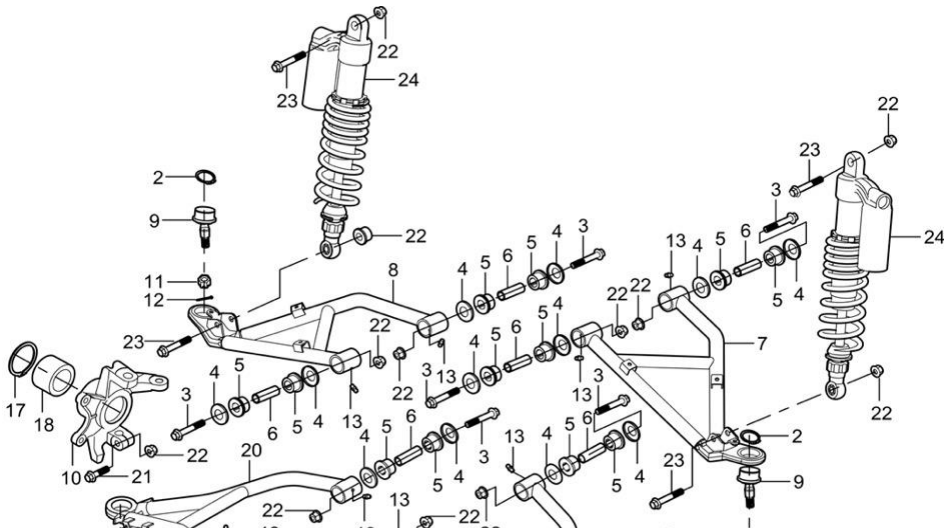


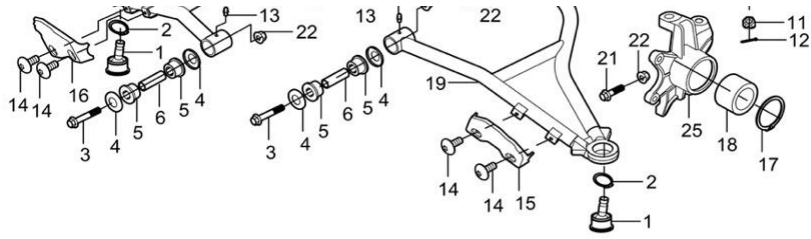


3、前悬挂总成 Front suspensio system

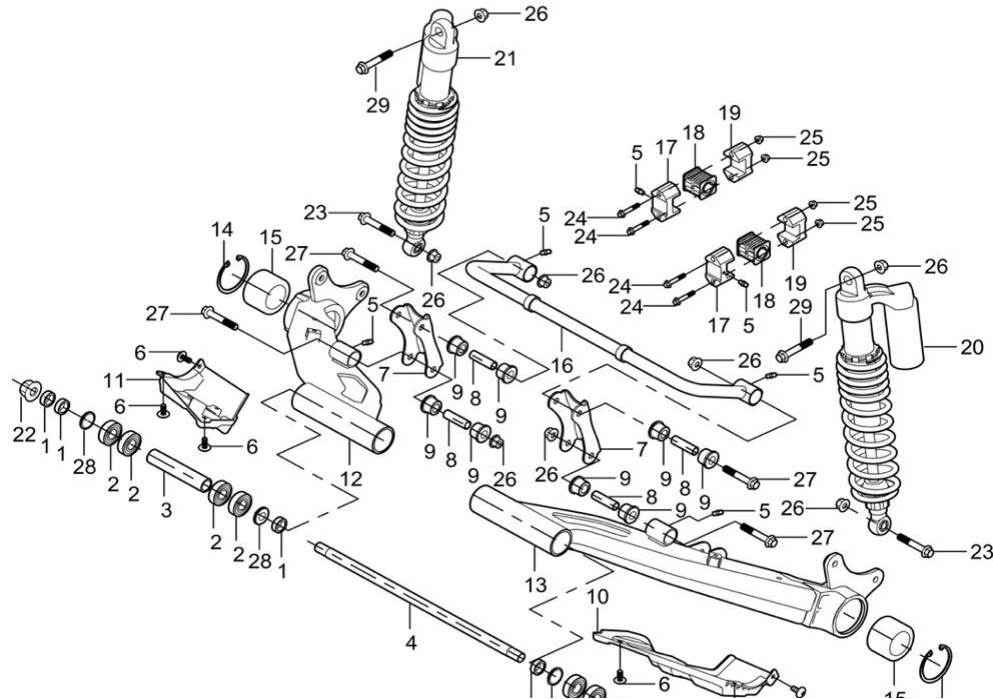
11	04724120026	Castle nut 12x1.25	M12x1.25	2
12	05011250255	Cotter Pin 2.5x25	φ2.5x25	2
13	10901070090	Grease Zerk(white)		8
14	03414060124	Allen bolt M6x12	M6x12	4
15	17001220100	Front left half shaft guard		1
16	17001230100	Front right half shaft guard		1
17	07011630004	C-clamp	φ63	2
18	09560306342	Bearing(double sealed)	轴承DAC306	2
19	17001080020	Lower A-arm, LH, FR		1
20	17001090020	Lower A-arm, RH, FR		1
21	17001190070	Hex Flange Bolt 10x40x1.25	M10x40x1.25	2
22	04622100026	Heagon flange locking nut 10x1.25	M10x1.25	14
23	01256100556	Hex Flange Bolt 10x55x1.25	M10x55x1.25	4

图号 Item No.	ERP 配件编号	英文名称 English name	型号 Specifacation	单车数量 Quantity
24	17001010120	Front shock (Airbag)		2
24	17001010130	Front shock (Normal)		2
25	17005210030	Steering Knuckle, LH		1
26				
27				
28				
29				
30				
31				
32				
33				
34				
35				

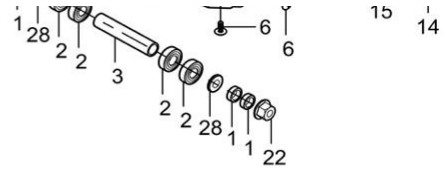




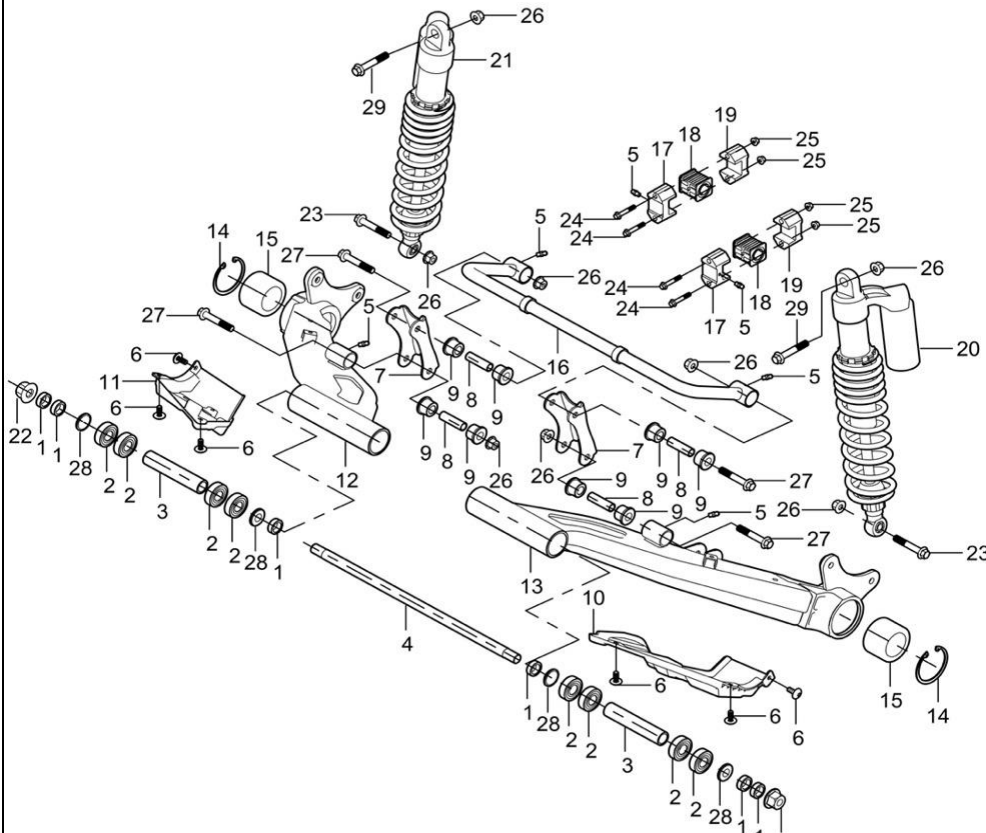
4、后悬挂总成Rear suspensio system



36				
37				
38				
39				
40				
41				
42				
43				
44				
45				
图号 Item No.	ERP 配件编号	英文名称 English name	型号 Specificat ion	单车数量 Quantity
1	17001100080	Rear swing arm outer sleeve		6
2	09560006203	Bearing 6203-2rs	40x17x12	8
3	17001100070	Rear swing arm liner tube		2
4	17001100060	Rear swing arm joint shaft		1
5	10901070090	Grease nozzle		6
6	03414060124	Allen bolt M6x12	M6x12	6
7	17001210080	Balance bar linkage plate		2
8	17001210090	Sway bar inner sleeve		4
9	16201070020	A-Arm Nylon Sleeve		8
10	17001120020	Uppper A-arm, LH, RR		1
11	17001130020	Uppper A-arm, RH, RR		1
12	17000050010	Rear swing arm (right)		1
13	17000040010	Rear swing arm (left)		1
14	07011630004	C-clamp	φ63	2
15	09560306342	Bearing(double sealed)	轴承DAC306	2
16	17001210020	Sway bar		1



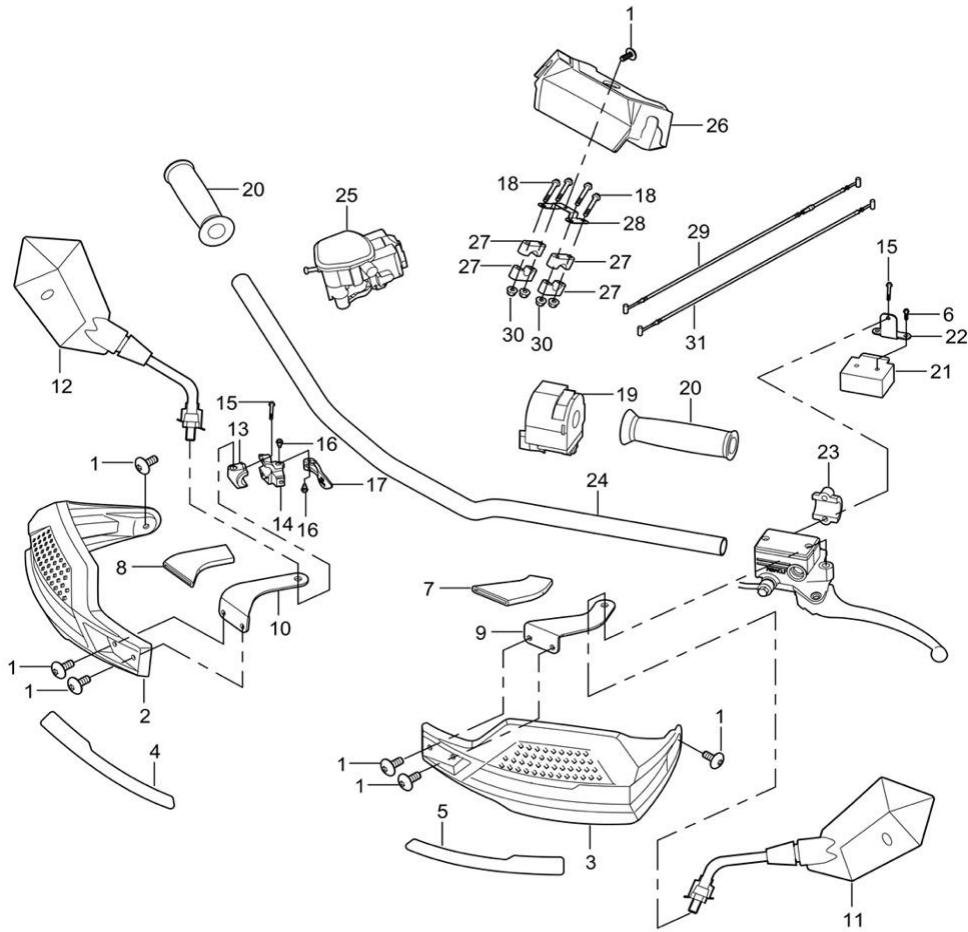
4、后悬挂总成Rear suspensio system



图号 Item No.	ERP 配件编号	英文名称 English name	型号 Specificat ion	单车数量 Quantity
17	17001210030	Sway bar pressure block		2
18	17001210040	Cusion, sway bar fixation		2
19	17001210070	Sway bar pressure block (Grease nozzle)		2
20	17001020140	Rear shock absorber left (airbag)		1
21	17001020160	Rear shock absorber right (airbag)		1
21	17001020020	Rear shock absorber (normal)		2
22	04632160025	Heagon flange locking nut	M16x2.0	2
23	01256100556	Hex Flange Bolt	M10x55x1.25	2
24	01214080806	Hex Flange Bolt	M8x80 (半丝)	4
25	04512060126	Heagon flange locking nut	M8	4
26	04622100026	Heagon flange locking nut	M10x1.25	8
27	01256100706	Hex Flange Bolt	M10x70x1.25	4
28	11010025405	Rear swing arm oil seal	40x25x5	4
29	1256100606	Hex Flange Bolt 10x60x1.25	M10x60x1.25	2
30				
31				
32				
33				
34				
35				
36				
37				
38				
39				
40				
41				

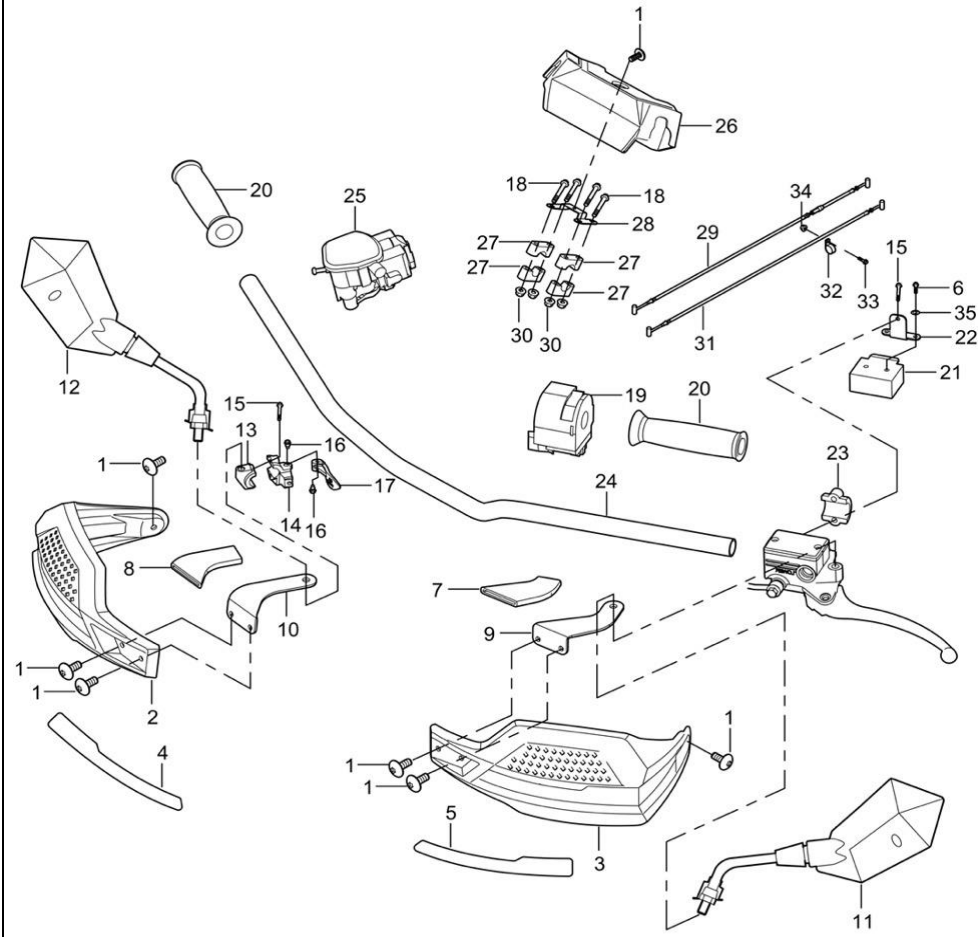
1 22

5、方向手把Steering Handle



图号 Item No.	ERP 配件编号	英文名称 English name	型号 Specification	单车数量 Quantity
42				
43				
44				
45				
1	03414060124	Allen bolt M6x12	M6x12	7
2	17005160090	Handle Bar Shield, Right		1
3	17005160080	Handle Bar Shield, Left		1
4	17014190100	Handle Bar Shield Reflective strip right		1
5	17014190090	Handle Bar Shield Reflective strip left		1
6	03174040104	Crossed round head screw	M4x10	2
7	17005160290	Handle Bar Shield mounting plate holster,		1
8	17005160300	Handle Bar Shield mounting plate holster,		1
9	17005160030	Handle Bar Shield mounting plate, Left		1
10	17005160040	Handle Bar Shield mounting plate, Right		1
11	13605140000	Rear view mirror, LH		1
12	13605150000	Rear view mirror, RH		1
13	17006010560	Parking brake half page cover		1
14	14506010560	Parking brake handle fixed half cover		1
15	01224060225	Hex Flange Bolt 6x22	M6x22	4
16	14506010570	Bolt, Brake Handle		2
17	14506010130	Parking brake handle		1
18	01214080655	Hex Flange Bolt 8x65	M8x65	4
19	17009190080	Main Switch Housing		1
20	13605130000	Handle Grip		2
21	17014250130	Winch Controlling Handle Bar		1
22	17014250150	Winch Controlling Handle Bar Mounting plate		1

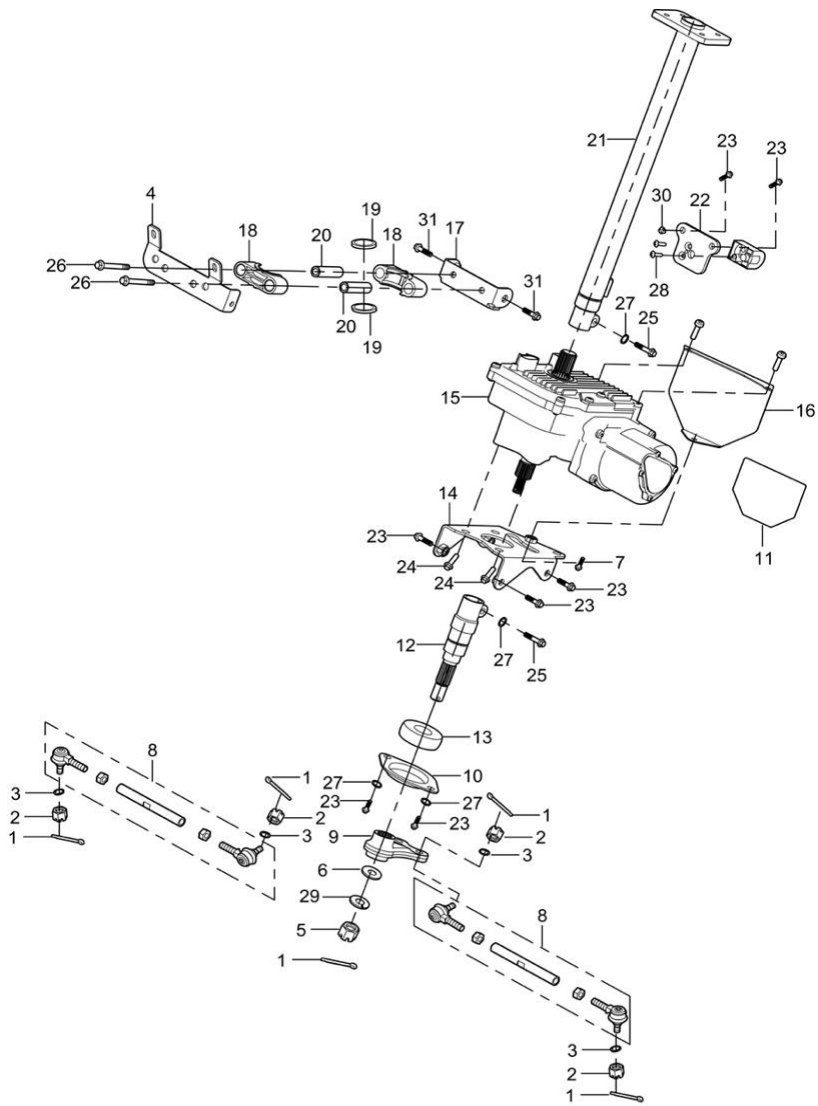
5、方向手把Steering Handle



图号 Item No.	ERP 配件编号	英文名称 English name	型号 Specifacat ion	单车数量 Quantity
23	17006010560	Parking brake half page cover		1
24	17005160000	Handle Bar		1
25	17011070010	Throttle Housing		1
26	17005160120	Cover, steering post		1
27	13605170010	Handle Bar Block		4
28	17005170050	Handle Bar Middle Shield Location Board		1
29	17011010190	Throttle Cable		1
30	04612080026	Heagon flange locking nut 8	M8	4
31	17011020020	Parking cable (long version)		1
31	17311020020	Parking cable (short version)		1
32	17006010090	Clamp (for brake oil pipe)		1
33	01254060166	Allen bolt M6x16		1
34	04612060026	Heagon flange locking nut 6x1.25		1
35	06119040905	Flat Washer	φ4xφ9x1	1
36				
37				
38				
39				
40				
41				
42				
43				
44				
45				

6、转向系统（助力） Steering system (EPS)

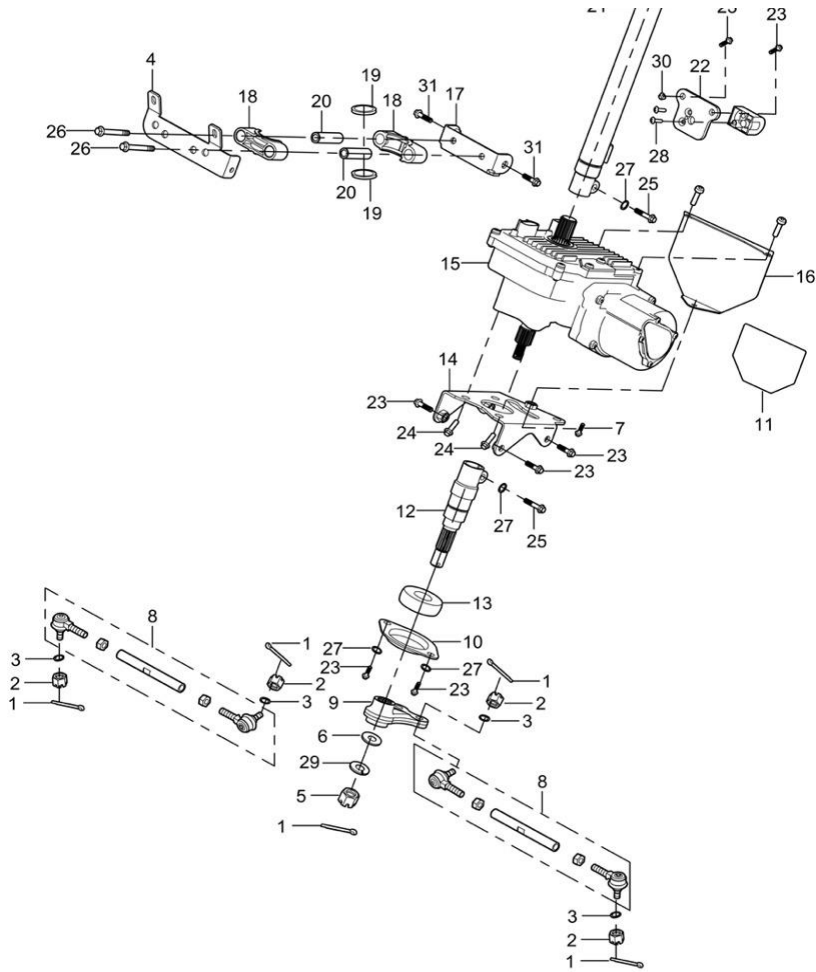
图号 Item No.	ERP 配件编号	英文名称 English name	型号 Specifacat ion	单车数量 Quantity



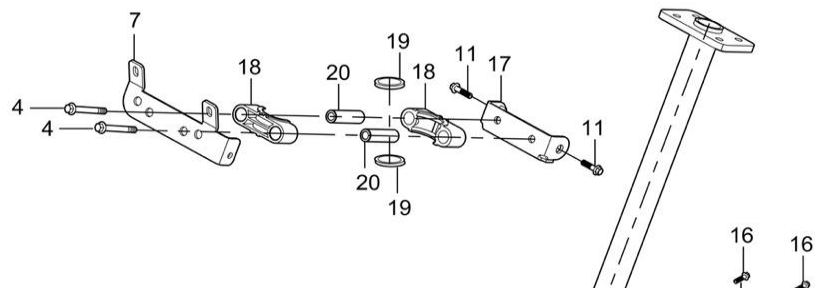
6、转向系统（助力） Steering system (EPS)



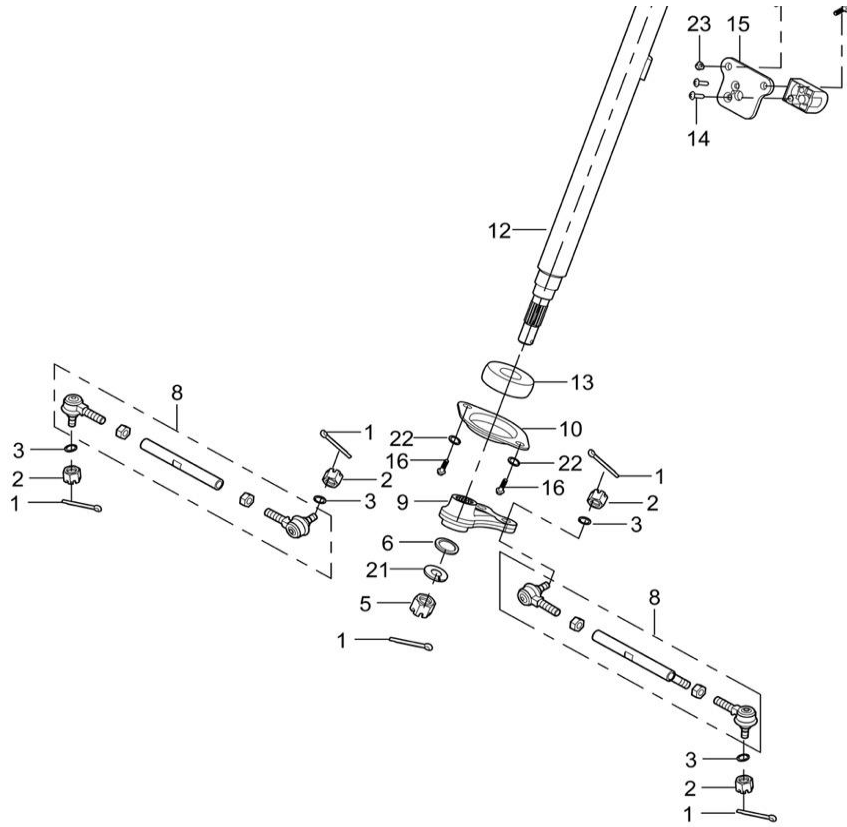
1	05011300252	Cotter Pin 3.0x25	φ3.0x25	3
2	04712100022	Castle nut 10x1.25	M10x1.25	4
3	06119102005	Flat Washer 10.5x20x2	φ10.5×φ20×2	4
4	17007020070	Air filter front mounting plate		1
5	04722160022	Castle nut 16x1.5	M16x1.5	1
6	16101140050	Disc Gasket Washer	φ16.3x31.5x	1
7	01224060165	Hex Flange Bolt	M6x16	1
8	13605120001	Steering Link		2
9	17005110000	Rocker Arm		1
10	17005190080	Steering column bearing pressure plate		1
11	17014130010	Steering power insulation film		1
12	17005110010	Rocker arm joint shaft assembly		1
13	09560006203	Steering column bearing	cs204 s47x2	1
14	17005270060	Bracket , EPS Motor		1
15	17005270010	Steering power body		1
16	17005270140	Steering booster heat shield		1
17	17005190040	Steering column fixed mounting plate		1
18	13605190000	Steering Column Fixture Block		2
19	11020038310	O RING	φ32.5x3	2
20	13605190010	Steering Column Fixture Block Neck Bush		2
21	17005050000	Steering column (steering power)		1
22	17009040040	Steering lock mounting plate		1
23	01214080205	Hex Flange Bolt 8x20	M8x20	8
图号 Item No.	ERP 配件编号	英文名称 English name	型号 Specifacat ion	单车数量 Quantity
24	01225100206	Hex Flange Bolt 10x20x1.5	M10x20x1.5	4
25	01224080306	Hex Flange Bolt 8x30	M8x30	2
26	01214080655	Hex Flange Bolt 8x65		2



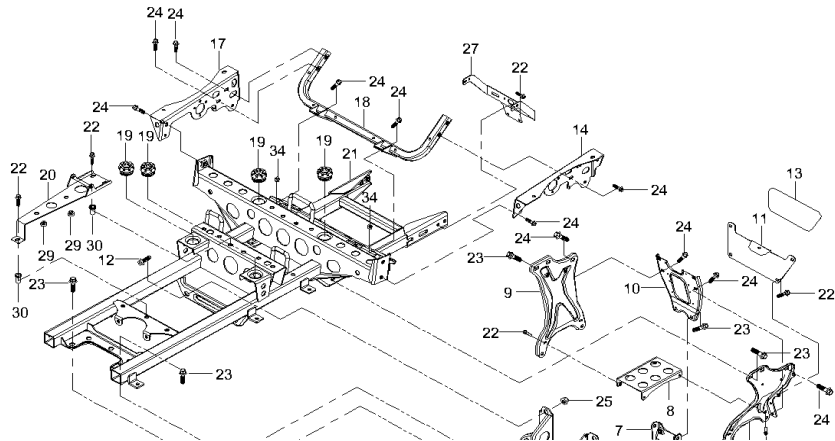
7、转向系统（普通） Steering system (EPS)



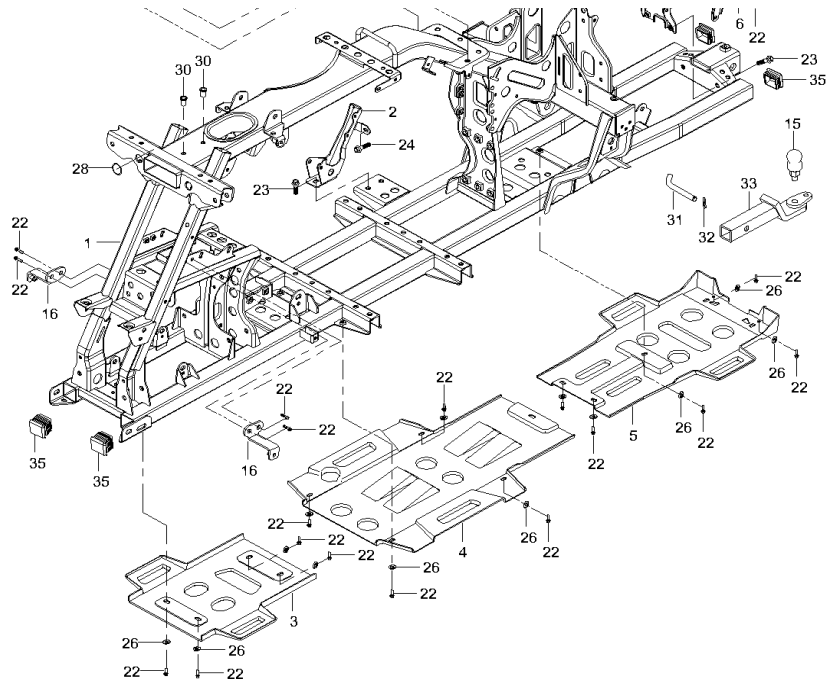
27	6619081405	Spring Washer	φ8	4
28	03124060125	Cross slotted sunk screw 6x	6x12	2
29	06619162405	Spring Washer	φ16	1
30	04612080026	Heagon flange locking nut	M8	2
31	01256100206	Hex Flange Bolt 10x20x1.25	M10x20x1.25	2
32				
33				
34				
35				
36				
37				
38				
39				
40				
41				
42				
43				
44				
45				
46				
图号 Item No.	ERP 配件编号	英文名称 English name	型号 Specificat ion	单车数量 Quantity
1	05011250255	Cotter Pin 2.5x25	φ2.5x25	3
2	04712100022	Castle nut 10x1.25	M10x1.25	4
3	06119102005	Flat Washer 10.5x20x2	φ10.5xφ20x2	4
4	01214080655	Hex Flange Bolt 8x65		2
5	04722160022	Castle nut 16x1.5	M16x1.5	1
6	16101140050	Disc Gasket Washer	φ16.3x31.5x	1



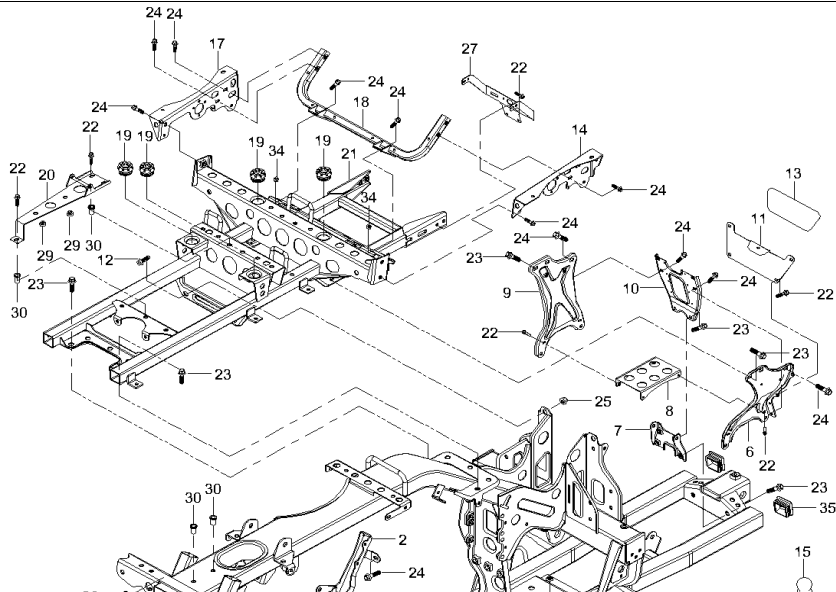
8、车架及配件（长款）Frame and accessories (Long)



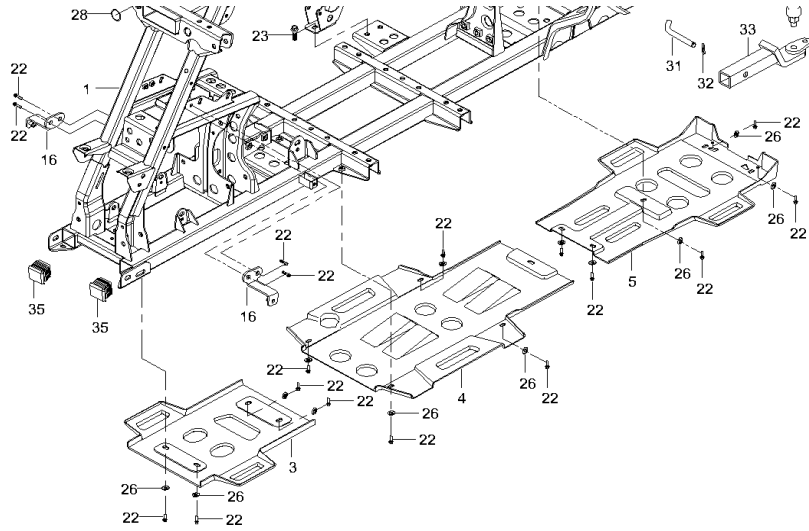
7	17007020070	Air filter front mounting plate		1
8	13605120001	Steering Link		2
9	17005110000	Rocker Arm		1
10	17005190080	Steering column bearing pressure plate		1
11	01256100206	Hex Flange Bolt 10x20x1.25	M10x20x1.25	2
12	17305050000	Steering column (Normal)		1
13	09560006203	Steering column	cs204 s47x20	1
14	03124060125	Cross slotted sunk screw 6x6x12		2
15	17009040040	Steering lock mounting plate		1
16	01214080205	Hex flange bolt 8x20	M8x20	4
17	17005190040	Steering column fixed mounting plate		1
18	13605190000	Steering Column Fixture Block		4
19	11020038310	O RING	φ32.5x3	2
20	13605190010	Steering Column Fixture Block Neck Bush		2
21	06619162405	Spring Washer	φ16	1
22	06619081405	Spring Washer		2
23	04612080026	Heagon flange locking nut	M8	2
图号 Item No.	ERP 配件编号	英文名称 English name	型号 Specification	单车数量 Quantity
1	17008010000	Frame		1
2	17000600010	Main pump mounting bracket (Long)		1
3	17008010060	Front bottom shield		1
4	17008010070	Middle bottom shield		1
5	17008010070	Rear bottom shield		1
6	17008250060	Rear axle mounting plate (Left)		1
7	17008250090	Rear axle reinforcement plate 2		1
8	17004180030	Fuel tank rear mounting plate		1
9	17008250070	Rear axle mounting plate (Right)		1



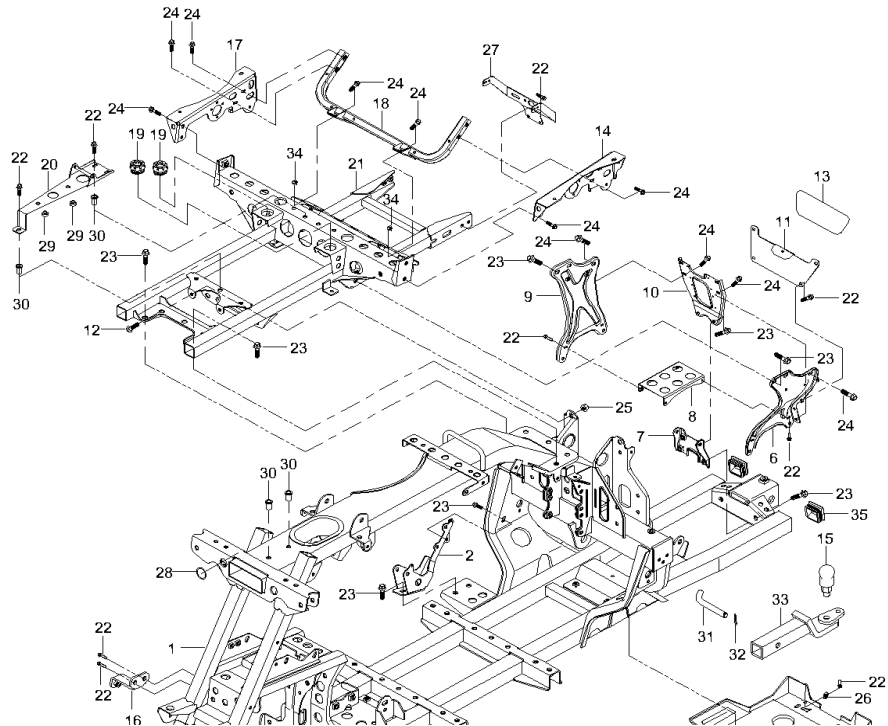
8、车架及配件（长款）Frame and accessories (Long)



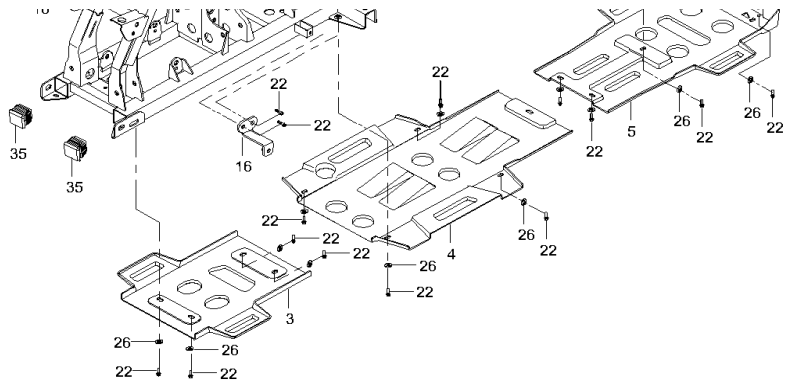
10	17008250080	Rear axle reinforcement plate 1		1
11	17004180010	Fuel tank insulation panel		1
12	01256100256	Hex Flange Bolt 10x25x1.25	M10x25x1.25	2
13	17014130010	Fuel tank insulation panel insulation		1
14	17008130150	Rear rack support plate (left)		1
15	13608420130	Tow Ball 2"		1
16	17010580030	Front fender mounting lugs		2
17	17008130160	Rear rack support plate (Right)		1
18	17008130010	Rear rack attachment bracket		1
19	17014020010	Seat Rubber Spacer		4
20	17009090200	Battery Holder		1
21	17008010010	Long subframe		1
22	01224060165	Hex Flange Bolt	M6x16	31
23	01256100206	Hex Flange Bolt 10x20x1.25	M10x20x1.25	14
图号 Item No.	ERP 配件编号	英文名称 English name	型号 Specification	单车数量 Quantity
24	01214080165	Hex Flange Bolt 8x16	M8x16	16
25	04622100026	Heagon flange locking nut	M10x1.25	2
26	06119061805	Washer 6.5x18x1	φ6.5xφ18x1	14
27	17009140010	Rear License Plate Lamp Bracket		1
28	17012050170	Water pipe spacer		1
29	10710150170	Cargo box bottom rubber		2
30	04512060027	Rivet Nut 6	M6	17
31	10908420030	Tow Ball Fixed Pin		1
32	10908420040	Tow Ball Pin		1
33	10908420080	Towing trailer hitch (without fixing plate) (t		1
34	04612080026	Heagon flange locking nut	M8	2
35	17008010050			4



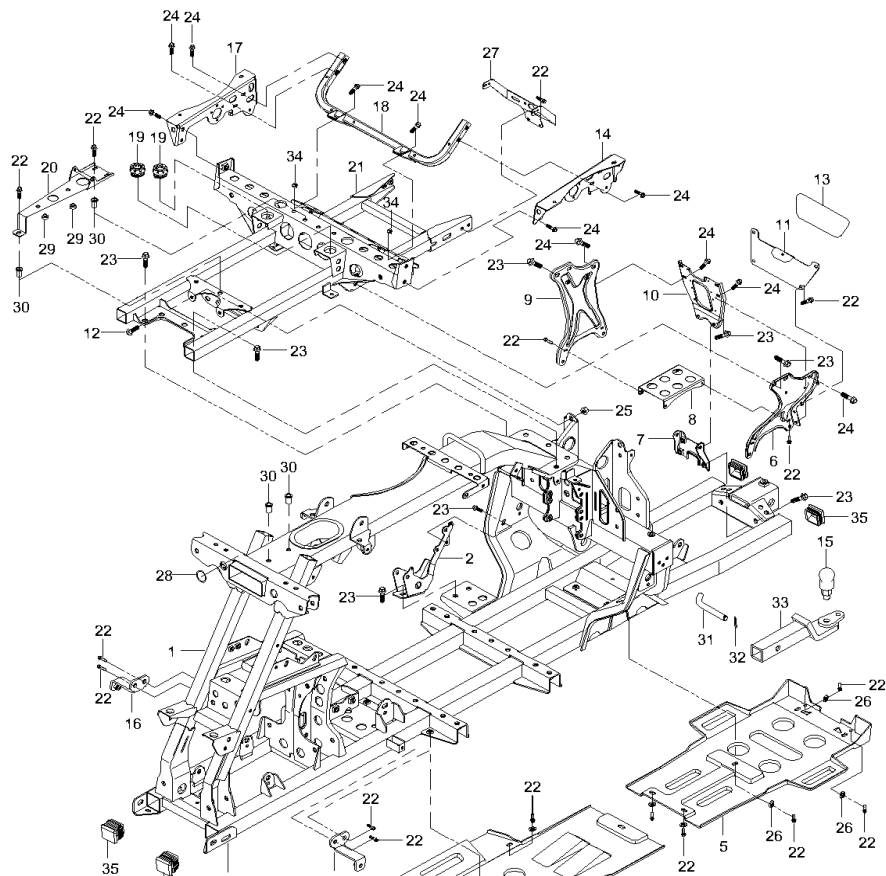
9、车架及配件（短款）Frame and accessories (Short)



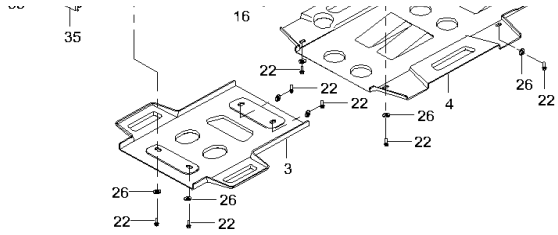
图号 Item No.	ERP 配件编号 ERP Part No.	英文名称 English name	型号 Specification	单车数量 Quantity
36				
37				
38				
39				
40				
41				
42				
43				
44				
45				
46				
1	17308010000	Frame		1
2	17306080010	Main pump mounting bracket (Short)		1
3	17008010060	Front bottom shield		1
4	17008010080	Middle bottom shield		1
5	17008010070	Rear bottom shield		1
6	17008250060	Rear axle mounting plate (left)		1
7	17008250090	Rear axle reinforcement plate 2		1
8	17004180030	Fuel tank rear mounting plate		1
9	17008250070	Rear axle mounting plate (Right)		1
10	17008250080	Rear axle reinforcement plate 1		1
11	17004180010	Fuel tank insulation panel		1
12	01256100256	Hex Flange Bolt 10x25x1.25	M10x25x1.25	2
13	17014130010	Fuel tank insulation panel insulation		1
14	17008130150	Rear rack support plate (Left)		1
15	13608420130	Tow Ball 2"		1



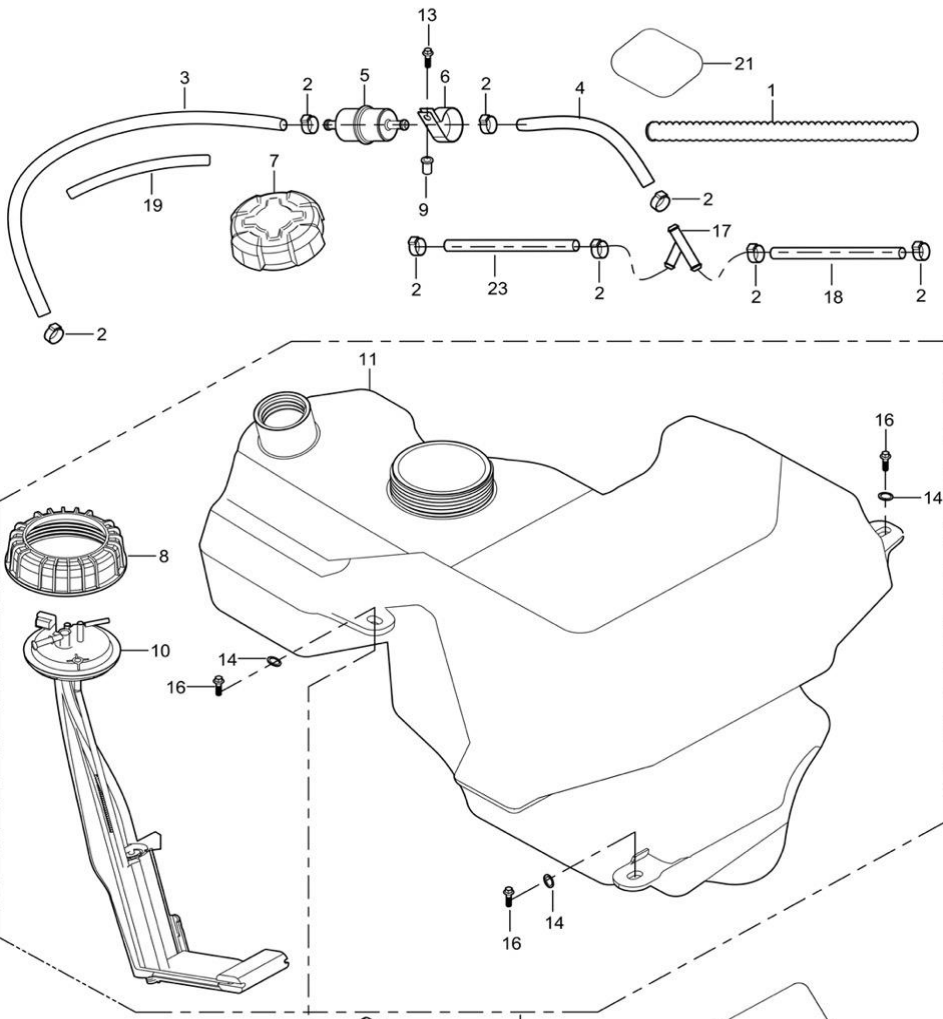
9、车架及配件（短款）Frame and accessories (Short)



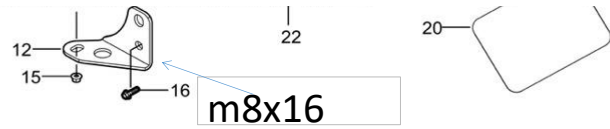
16	17010580030	Front fender mounting lugs		2
17	17008130160	Rear rack support plate (Right)		1
18	17008130010	Rear rack attachment bracket		1
19	17014020010	Seat Rubber Spacer		2
20	17009090200	Battery Holder		1
21	17308010010	Short subframe		1
22	01224060165	Hex Flange Bolt	M6x16	31
23	01256100206	Hex Flange Bolt 10x20x1.25	M10x20x1.25	14
图号 Item No.	ERP 配件编号	英文名称 English name	型号 Specificat ion	单车数量 Quantity
24	01214080165	Hex Flange Bolt 8x16	M8x16	16
25	04622100026	Heagon flange locking nut	M10x1.25	2
26	06119061805	Washer 6.5x18x1	φ6xφ18x1	14
27	17009140010	ear License Plate Lamp Bracket		1
28	17012050170	Water pipe spacer		1
29	10710150170	Cargo box bottom rubber		2
30	04512060027	Rivet Nut 6	M6	9
31	10908420030	Tow Ball Fixed Pin		1
32	10908420040	Tow Ball Pin		1
33	10908420080	Towing trailer hitch (without fixing plate) (t		1
34	04612080026	Heagon flange locking nut	M8	2
35	17008010050			4
36				
37				
38				
39				
40				
41				



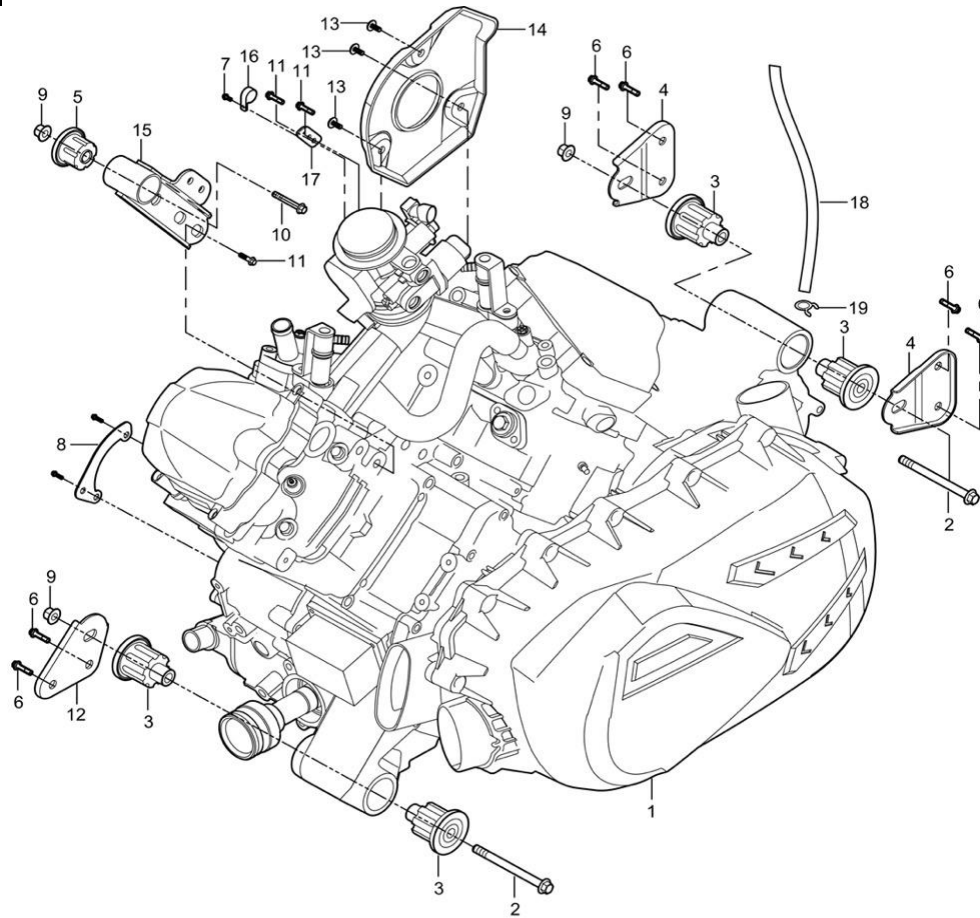
10、燃油系统Fuel system



图号 Item No.	ERP 配件编号	英文名称 English name	型号 Specification	单车数量 Quantity
42				
43				
44				
45				
46				
1	14114130040	Heat Insulation Tube		1
2	11912010030	Hose clamp 14.8	14,8	8
3	10404040500	Fuel Hose(Short)	250mm	1
3	10404040500	Fuel Hose(Long)	420mm	1
4	10404040500	Fuel Hose	470mm	1
5	13204060001	Fuel filter		1
6	13204060010	Fuel filter bracket		1
7	17004020000	Tank cap		1
8	17004010190	Oil pump upper cover		1
9	04512060027	Rivet Nut 6	M6	1
10	17004080000	Fuel Pump		1
11	17004010160	Fuel tank		1
12	17004180020	Fuel tank front mounting plate		1
13	01224060165	Screw hex-flange	M6x16	1
14	06219092205	Washer 8.5x22x2	φ8.5×φ22×2	3
15	4612080026	Heagon flange locking nut	M8	1
16	01224080306	Hex Flange Bolt 8x30	M8x30	4
17	17012050120	Fuel Hose		1
18	10404040500	Fuel Hose	75mm	1
19	10904040080	Fuel Hose Protection Spring		1
20	17014130010	Fuel tank left heat insulation film		1

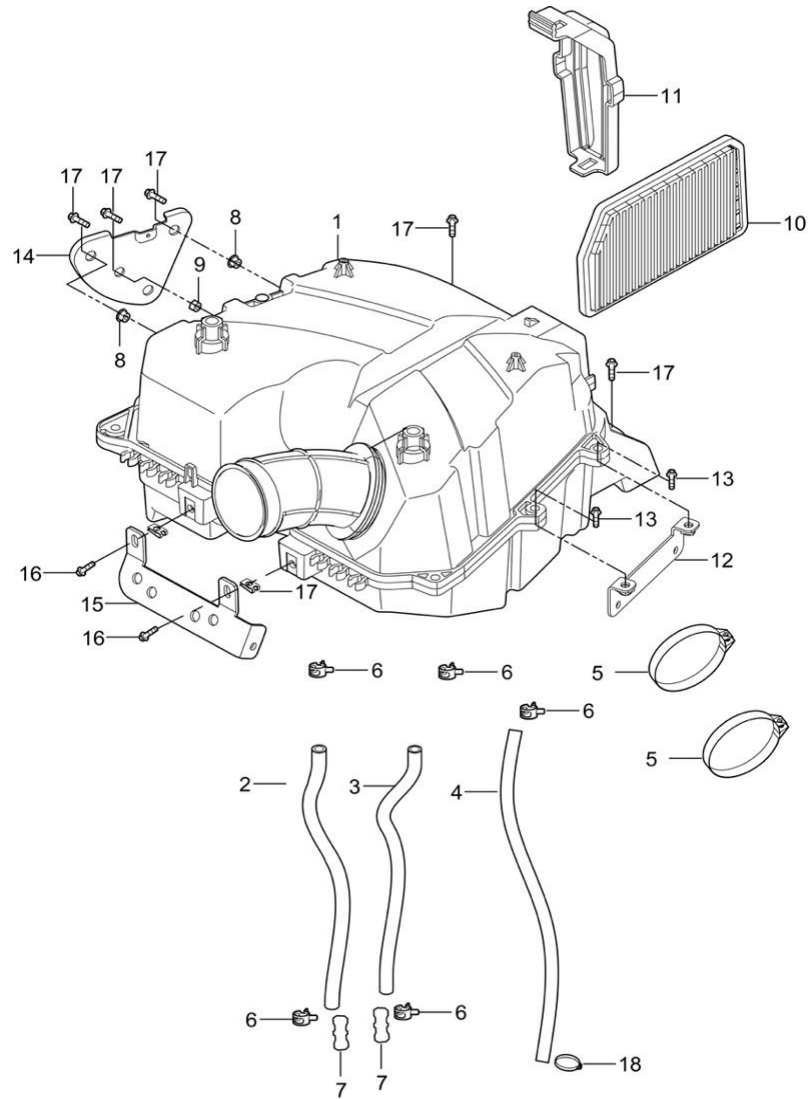


11、发动机安装 Engine



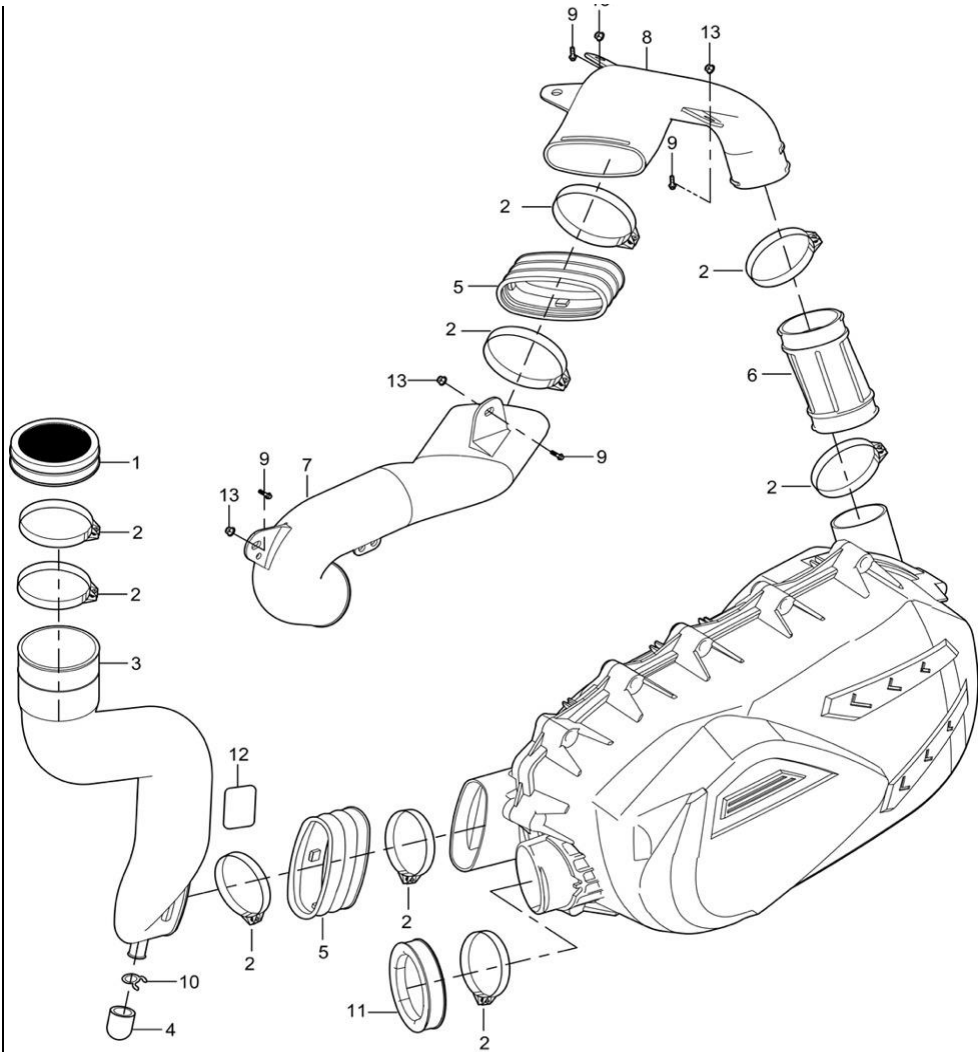
图号 Item No.	ERP 配件编号	英文名称 English name	型号 Specification	单车数量 Quantity
21	17014130010	Fuel tank right heat insulation film		1
22	17004010000	Fuel Tank		1
23	10404040500	Fuel Hose	90mm	1
1	40650408210	Engine (650cc)		1
1	41000409115	Engine (1000cc)		1
1	40800409128	Engine (800cc)		1
2	01255101255	Hex Flange Bolt 10x125x1.25	M10x125	2
3	10402070000	Engine Rubber		4
4	17002180010	Engine rear mounting plate		2
5	21021100301	Engine Upper Hang Anti-vibration mount		1
6	01214080165	Hex Flange Bolt 8x16	M8x16	6
7	01224060165	Screw hex-flange	M6x16	1
8	17012050060	Outlet pipe fixing plate		1
9	04622100026	Heagon flange locking nut 10x1.25	M10x1.25	3
10	01256100506	Hex Flange Bolt	M10x50x1.2	1
11	01225100206	Hex Flange Bolt 10x20x1.5	M10x20x1.5	4
12	17002170010	Engine front mounting plate,Right		1
13	03414060124	Phillips head screw	M6x12	3
14	17007030120	Front CVT Cover, RH		1
15	17302110000	Engine Upper Hang (650cc)		1
15	17002110000	Engine Upper Hang (1000cc)		1
16	10109380030	Wire Harness Mounting Clamp 3	φ30	1
17	17009010290	Wire holder(1000cc)		1
17	17309010290	Wire holder (650cc)		1
18	17007020130	Transmission vent pipe	320mm	1
19	11904070030	Spring hose clip	φ8	1

12、进气系统Inlet System



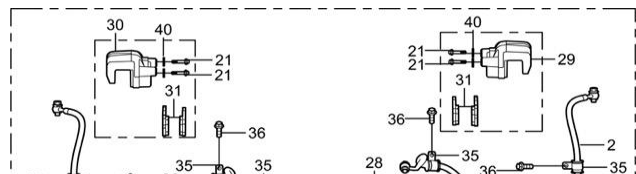
图号 Item No.	ERP 配件编号	英文名称 English name	型号 Specificat ion	单车数量 Quantity
1	21170101701	Air filter with housing(650)		1
1	21051101801	Air filter with housing(1000)		1
2	17007020130	Air filter leakage pipe I	685mm	1
3	17007020130	Air filter leakage pipe II	453mm	1
4	21170102101	Exhaust gas pipe		1
5	17007030270	Clamp 60-80	φ60-φ80	2
6	17004070060	Spring hose clip	φ14.5	5
7	21170103401	Air filter drain plug		2
8	04212080026	Heagon flange locking nut	M8	2
9	04612080026	Heagon flange locking nut	M8	1
10	21170101731	Cartridge combination		1
11	21170101721	Air filter clips		1
12	17009590010	ECU mounting plate		1
13	01224060255	Hex Flange Bolt 6x25	M6x25	2
14	17008220000	Gearshift fixing plate		1
15	17007020070	Air filter front mounting plate		1
16	01224060165	Screw hex-flange	M6x16	5
17	01214080165	Hex Flange Bolt 8x16	M8x16	5
18	21130103201	Clamp		1
19				
20				
21				
22				
图号 Item No.	ERP 配件编号	英文名称 English name	型号 Specificat ion	单车数量 Quantity
1	17007030260	CVT Air Inlet sleeve combination		1

13、CVT进排气系统Engine system

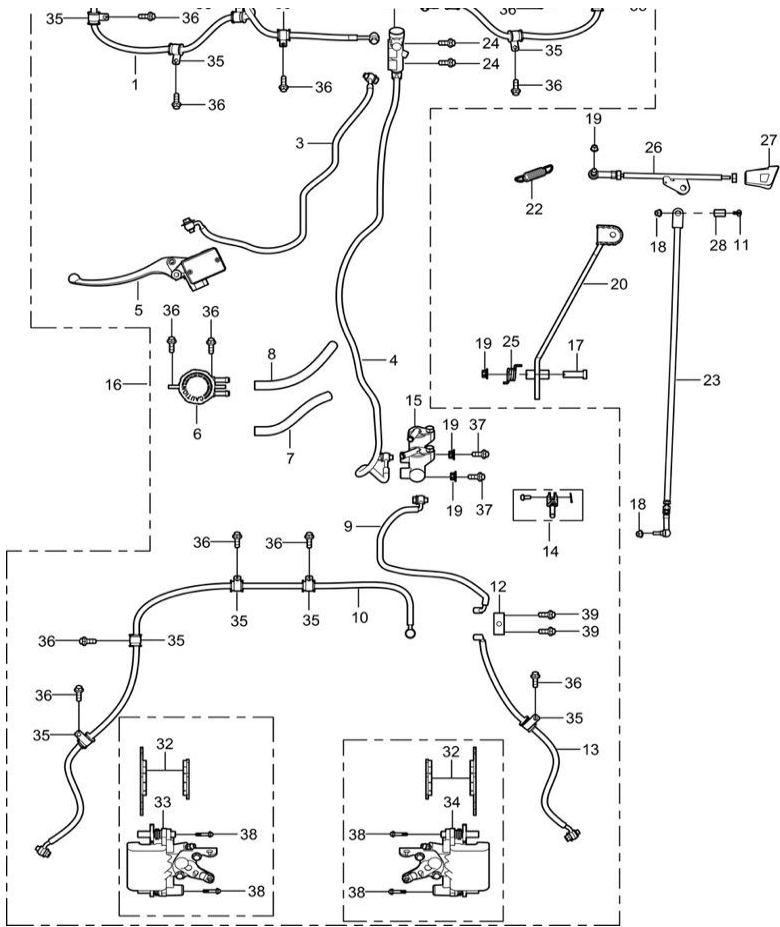


2	17007030270	Clamp 60-80	φ60-φ80	9
3	17007030000	CVT Air Inlet Pipe		1
4	17007050160	Drain plug		1
5	17007030010	CVT Air Inlet Pipe Boot		2
6	17007040010	CVT Air Outer Pipe Boot		1
7	17007040000	CVT Air Outer 1		1
8	17007040050	CVT Air Outer 2		1
9	01224060165	Screw hex-flange	M6×16	4
10	10404070020	Wire Clamp	11mm-13.5m	1
11	21170102201	CVT Air Outlet Seal Bushing		1
12	17014130010	CVT Air Inlet Pipe Insulation Film		1
13	04612060026	Heagon flange locking bolt	M6	4
14				
15				
16				
17				
18				
19				
20				
21				
22				
23				

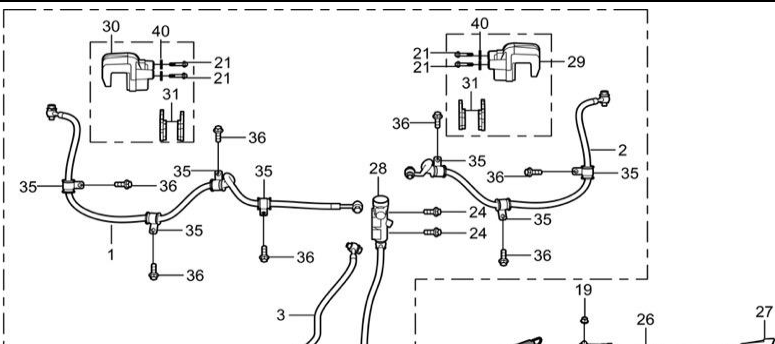
14、制动系统 (含长短款) Braking system(Long and Short)



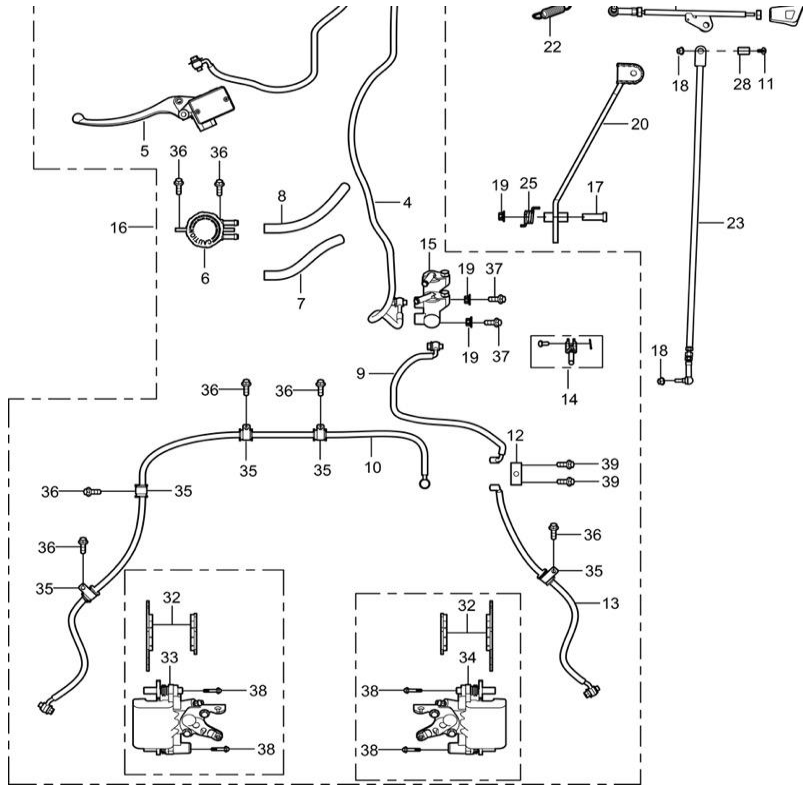
图号 Item No.	ERP 配件编号	英文名称 English name	型号 Specificat ion	单车数量 Quantity
1	17006010160	Disc brake system assembly Front left dis		1
2	17006010170	Disc brake system assembly Front right di		1
3	17006010370	Hand Brake Hose		1
4	17006010380	Foot Brake Front Brake Hose		1



14、制动系统（含长短款）Braking system(Long and Short)



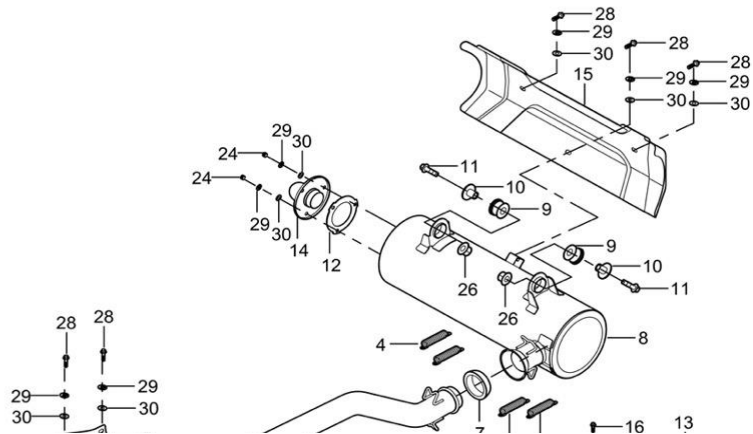
5	17006010360	Hand Brake Pump		1
6	17006010590	Oil cup, brake system(T3)		1
6	13606010440	Oil cup, brake system		1
7	17006010420	Oil hose		1
8	17006010410	Oil hose		1
9	17006010390	Foot Brake Rear Brake Hose		1
9	17306010390	Foot Brake Rear Brake Hose		1
10	17006010260	Rear Brake Hose, Driver Side		1
11	01254060256	Hex Flange Bolt	M6x25	1
12	17006010460	Three Links		1
13	17006010250	Rear Brake Hose, Passenger		1
14	15106010470	Brake thimble		1
15	17006010270	Brake Master Cylinder		1
16	17006010540	Brake system(Long)		1
16	17006010550	Brake system(Short)		1
17	01824081506	Hexagonal flange step bolts		1
18	04612060025	Hexagon flange locking nut 6	M6	1
19	04612080026	Hexagon flange locking nut	M8	4
20	17006030000	Brake Pedal		1
图号 Item No.	ERP 配件编号	英文名称 English name	型号 Specification	单车数量 Quantity
21	01256100256	Hex Flange Bolt	M10x25x1.25	4
22	13611050020	Gear Shifting Spring		1
23	17011120020	Gear Shifting (1000)		1
23	17311120020	Gear Shifting (650/800)		1
24	01224060305	Hex Flange Bolt	M6x30	2
25	16106030020	Foot brake pedal return spring		1
26	17011060000	Gear Shifter (1000)		1

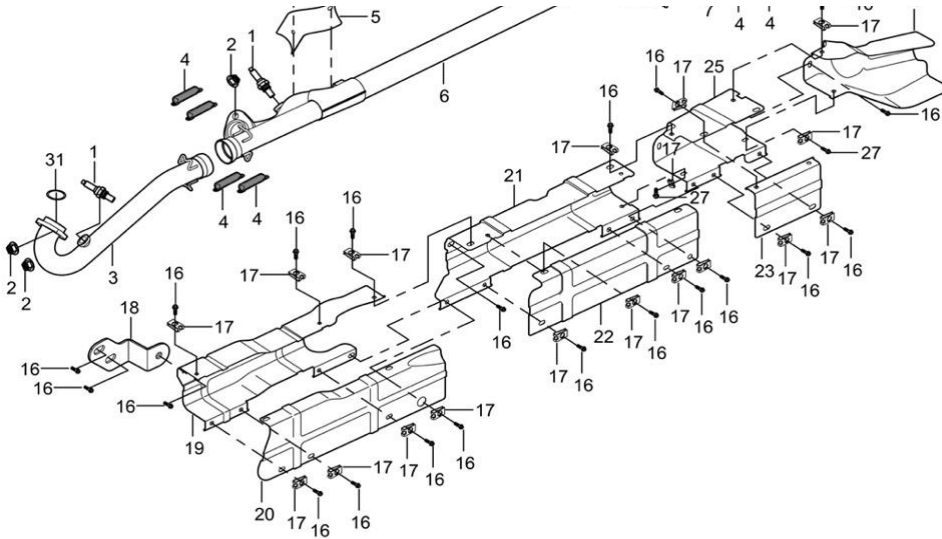


15、排气系统（长款）Exhaust system(Long)

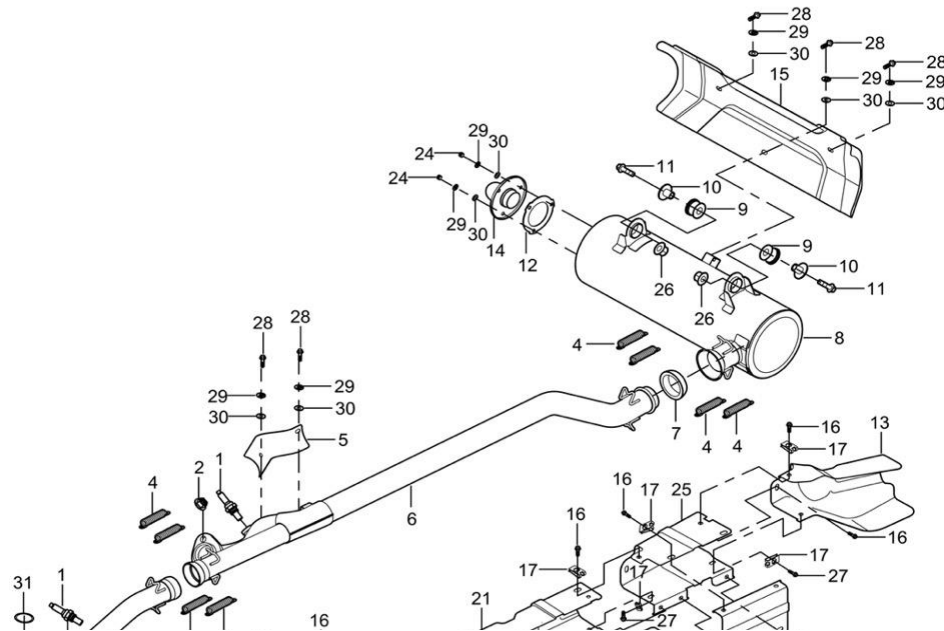
26	17311060000	Gear Shifter (650/800)		1
27	17011050000	Gear Shift Ball		1
28	17011060130	Gear Shifter Inner sleeve		1
29	17006010050	Front calliper (right hand)		1
30	17006010040	Front calliper (left hand)		1
31	17006010060	Front brake pads		2
32	17006010080	Rear brake pads		2
33	17006010150	Rear disc brake caliper (right)		1
34	17006010140	Rear disc brake caliper (left)		1
35	17006010090	Clamp (for brake oil pipe)		12
36	01224060125	Screw hex-flange	M6x12	16
37	01224080306	Hex Flange Bolt 8x30	M8x30	1
38	01225100206	Hex Flange Bolt 10x20x1.25	10x20x1.25	4
39	03344060205	Hex Flange Bolt M6X20	M6X20	4
40	06119102005	Washer	φ10.5×φ20×2	4
41				

图号 Item No.	ERP 配件编号	英文名称 English name	型号 Specification	单车数量 Quantity
1	21040400701	O2 sensor		2
2	04512080025	Hex Flange Locking Nut 8	M8	4
3	17307010060	Front Exhaust Pipe(650cc/800cc)		1
3	17007010060	Front Exhaust Pipe(1000cc)		1
4	17007010340	Exhaust Pipe Tension Spring		8
5	17307010290	Rear Cylinder Exhaust Pipe Insulation Bo		1
5	17007010290	Rear Cylinder Exhaust Pipe Insulation Bo		1
6	17307010070	Rear Exhaust Pipe (650cc/800cc long wh		1
6	17007010070	Rear Exhaust Pipe(1000cc long wheebas		1
7	17007010170	Graphite sealing sleeve		1

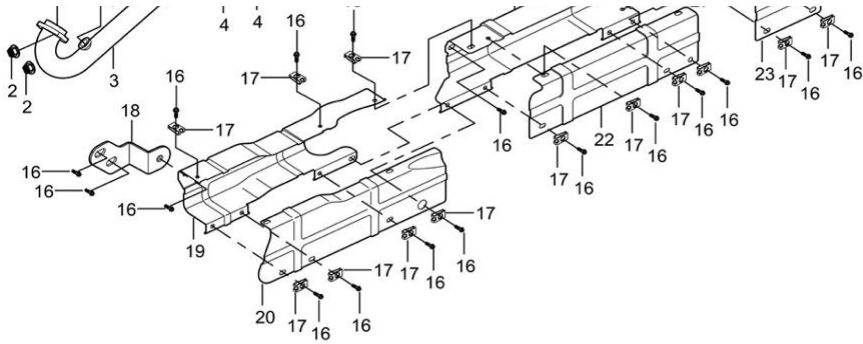




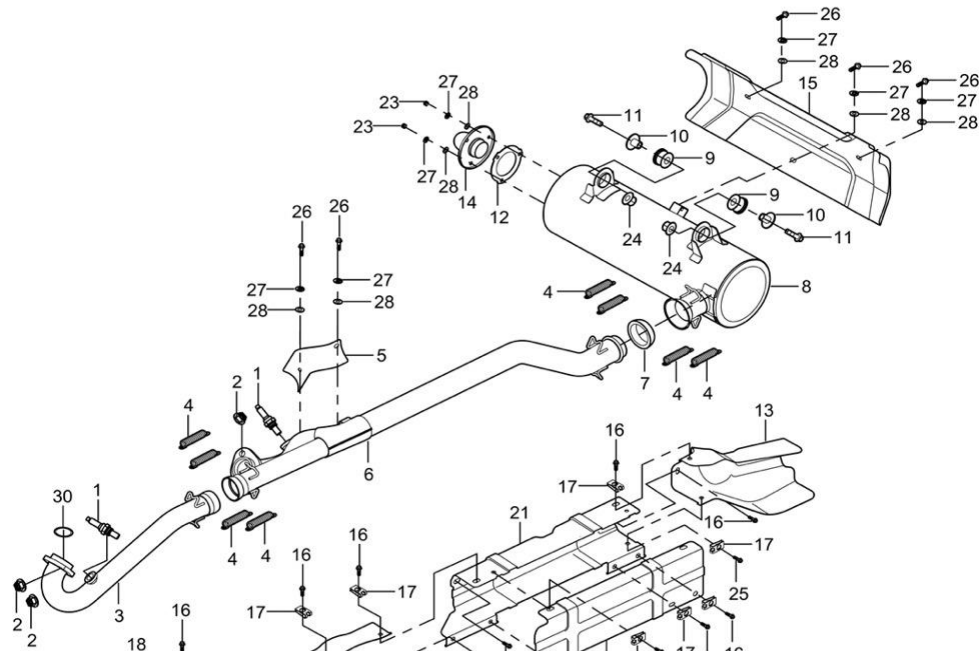
15. 排气系统 (长款) Exhaust system(Long)



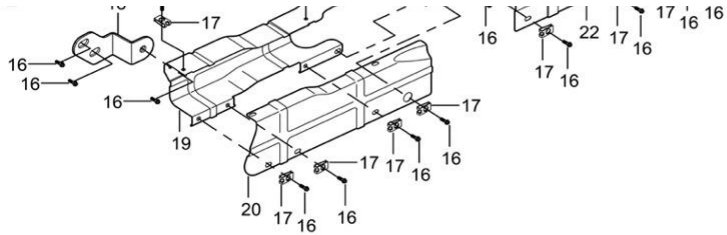
8	17007090000	Muffler	206.83+516	1
8	17307090000	Muffler	206.83+337	1
9	13607010140	Muffler Hang Rubber Sleeve		2
10	13607010190	Muffler Hang Neck Bushing		2
11	01224080356	Hex Flange Bolt	M8x35	2
12	17007010170	Graphite Gasket		1
13	17007010310	Muffler heat shield (Front)		1
14	17007010770	Tail exhaust combination		1
15	17007010320	Muffler heat shield (Rear)		1
16	01224060165	Screw hex-flange	M6x16	27
17	17007010780	Buckle	M6	25
18	17007010760	Mounting lugs before exhaust pipe insulat		1
19	17007010380	Front Cylinder Exhaust Pipe Insulation Bo		1
图号 Item No.	ERP 配件编号	英文名称 English name	型号 Specificat ion	单车数量 Quantity
20	17007010370	Front Cylinder Exhaust Pipe Insulatio		1
21	17007010400	Rear Cylinder Exhaust Pipe Insulation		1
22	17007010390	Rear Cylinder Exhaust Pipe Insulation Bo		1
23	17007010410	Middle Exhaust Pipe(Outer) With Insulatic		1
24	04312060023	Cap nuts	M6	3
25	17007010420	Middle Exhaust Pipe(Inner) With Insulatio		1
26	04512080025	Hex Flanged elastic nut	M8	2
27	01254060126	Hex Flange Bolt	M6x12	2
28	01244060163	Hex Flange Bolt	M6x16	6
29	06619061003	Spring Washer	φ6	9
30	06119061203	Washer	φ6xφ12x1	9
31	21040400101	exhaust pipe seal washer		2
32				



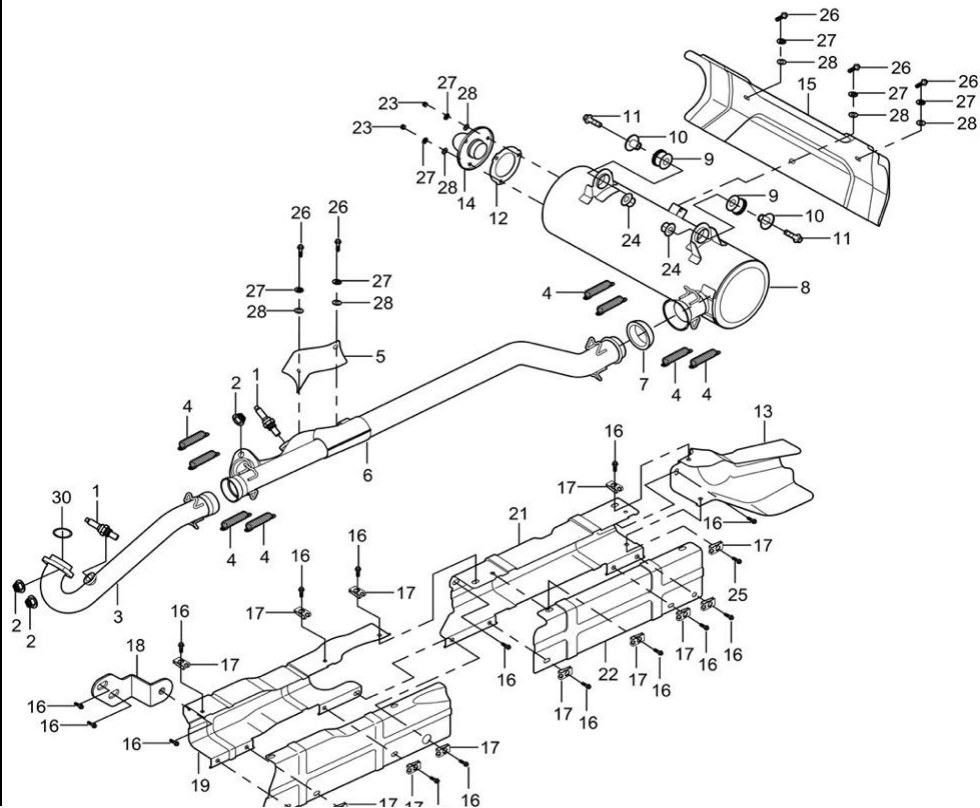
16、排气系统（短款）Exhaust system(Short)



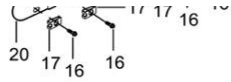
图号 Item No.	ERP 配件编号	英文名称 English name	型号 Specification	单车数量 Quantity
33				
34				
35				
36				
37				
38				
39				
40				
41				
42				
1	21040400701	O2 sensor		2
2	04512080025	Hex Flange Locking Nut 8	M8	4
3	17307010060	Front Exhaust Pipe(650cc/800cc)		1
3	17007010060	Front Exhaust Pipe(1000cc)		1
4	17007010340	Exhaust Pipe Tension Spring		8
5	17307010290	Rear Cylinder Exhaust Pipe Insulation Bo		1
5	17007010290	Rear Cylinder Exhaust Pipe Insulation Bo		1
6	17307010330	Rear Exhaust Pipe(650cc/800cc Short wh		1
6	17007010330	Rear Exhaust Pipe(1000cc Short wheelba		1
7	17007010170	Graphite sealing sleeve		1
8	17007090000	Muffler		1
8	17307090000	Muffler		1
9	13607010140	Muffler Hang Rubber Sleeve		2
10	13607010190	Muffler Hang Neck Bushing		2
11	01224080356	Hex Flange Bolt	M8x35	2
12	17007010170	Graphite Gasket		2



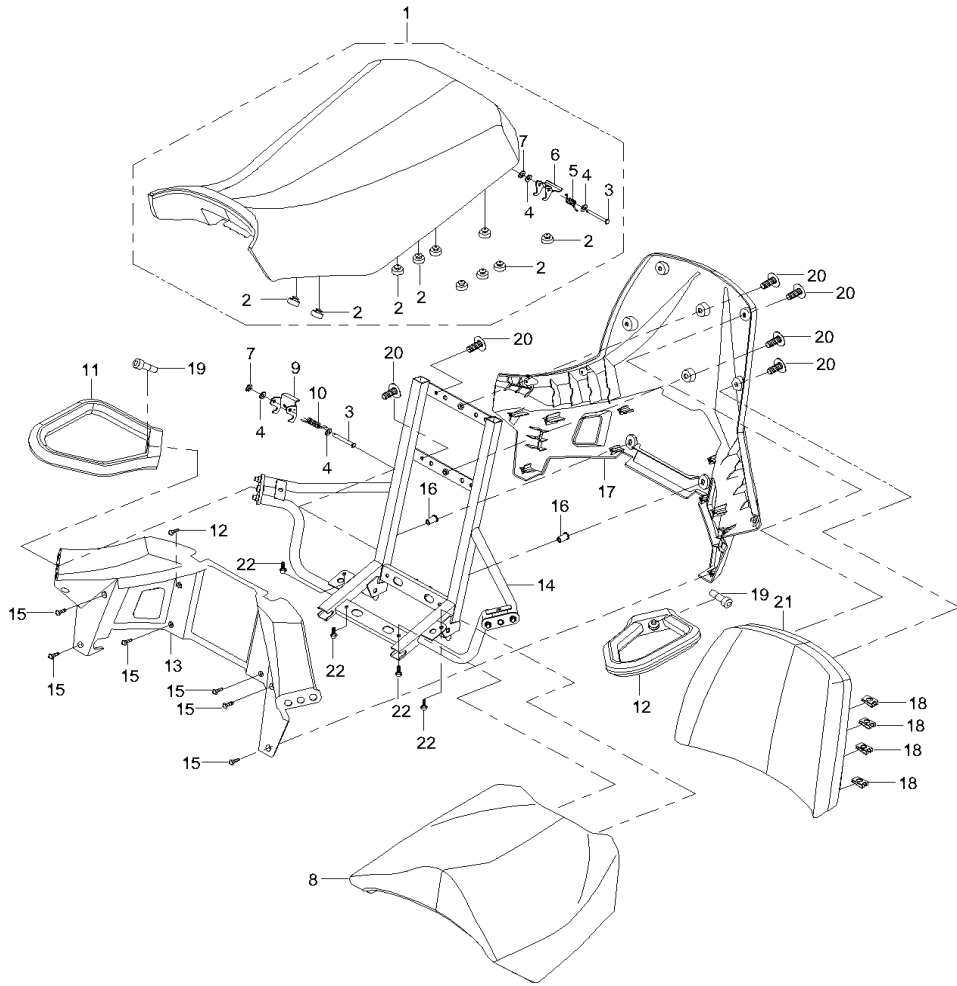
16、排气系统（短款）Exhaust system(Short)



13	17007010310	Muffler heat shield (Front)		1
14	17007010770	Tail exhaust combination		1
15	17007010320	Muffler heat shield (Rear)		1
16	01224060165	Screw hex-flange	M6x16	21
17	17007010780	Buckle	M6	19
18	17007010760	Mounting lugs before exhaust pipe insulat		1
19	17007010380	Front Cylinder Exhaust Pipe Insulation Bo		1
图号 Item No.	ERP 配件编号	英文名称 English name	型号 Specificat ion	单车数量 Quantity
20	17007010370	Front Cylinder Exhaust Pipe Insulation Bo		1
21	17007010400	Rear Cylinder Exhaust Pipe Insulation Bo		1
22	17007010390	Rear Cylinder Exhaust Pipe Insulation Bo		1
23	04312060023	Middle Exhaust Pipe(Outer)	M6	3
24	04512080025	Cap nuts	M8	2
25	01254060126	Hex Flange Bolt	M6x12	1
26	01244060163	Hex Flange Bolt	M6x16	6
27	06619061003	Spring Washer	φ6	9
28	06119061203	Washer	φ6xφ12x1	9
29	21040400101	exhaust pipe seal washer		2
30				
31				
32				
33				
34				
35				
36				
37				
38				

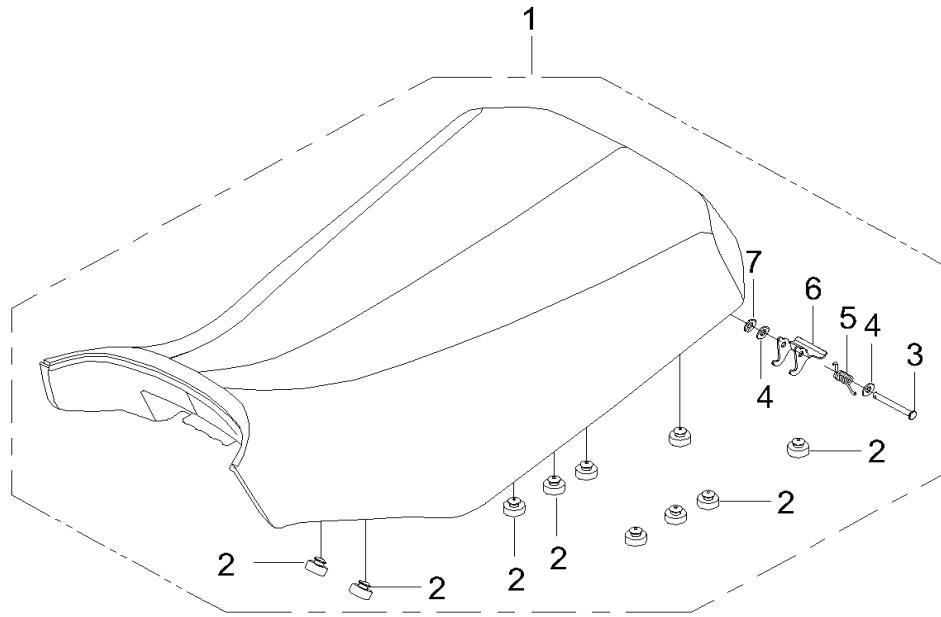


17、座椅 (长款) Seat (Long)



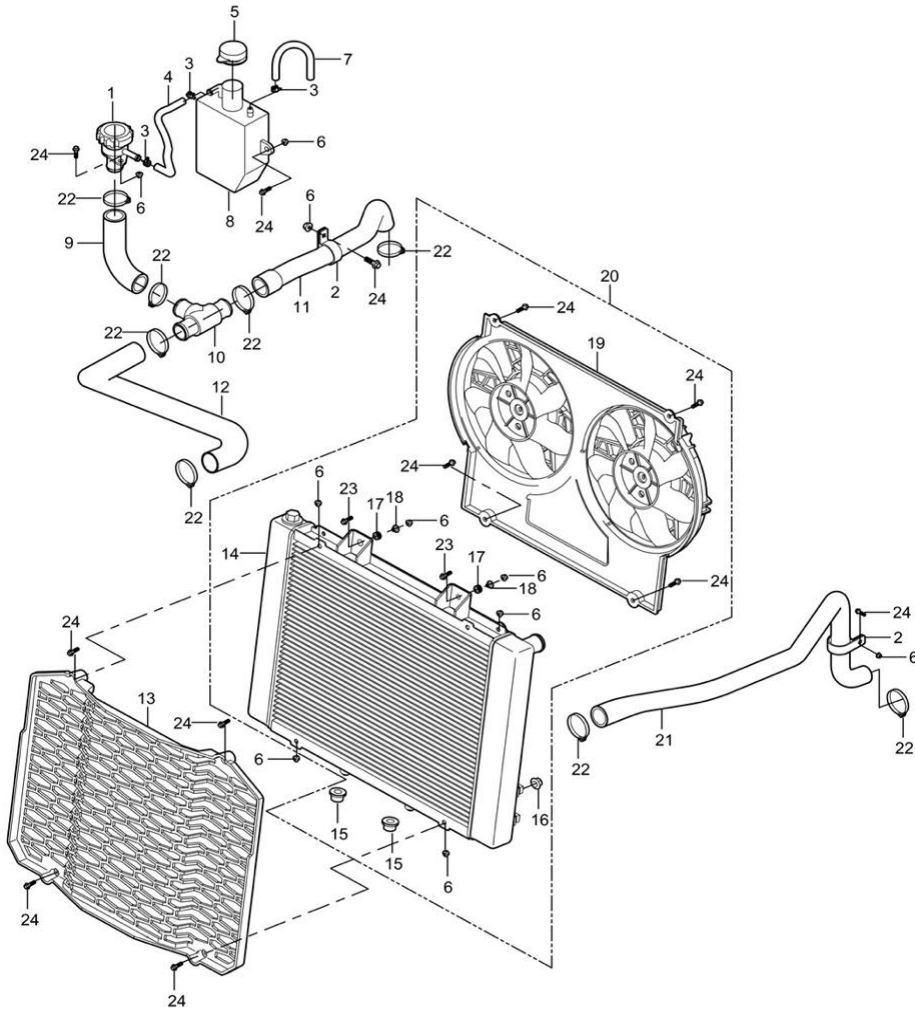
图号 Item No.	ERP 配件编号	英文名称 English name	型号 Specification	单车数量 Quantity
39				
40				
41				
42				
1	17014020110	eat (without off-vehicle alarm)		1
1	17014020130	Seat cushion (with off-vehicle alarm) for E		1
2	17014020250	Front seat rubber cushion		8
3	17014020270	Seat cushion shaft pin		1
4	06119061805	Washer 6.5x18x1	φ6.5xφ18x1	2
5	17014020280	ont seat cushion torsion spring		1
6	17014020290	Front seat cushion latch		1
7	07031050501	E clip spring		1
8	17014020070	Rear seat cushion		1
9	17014020240	Rear seat hook limit plate		1
10	17014020260	Rear seat torsion spring		1
11	17008080020	Rear right armrest		1
12	17008070020	Rear left armrest		1
13	17014020220	Rear backrest front cover shell		1
14	17008090000	Rear seat mounting bracket		1
15	03714420165	Tapping screws	ST4.2x12	14
16	04512060027	Rivet Nut 6	M6	4
17	17014020230	Rear backrest rear cover shell		1
18	04912060025	Plate Nut (Long)		8
19	01214080255	Hex Flange Bolt	M8x25	2
20	03414060164	Phillips head screw	M6x16	10
21	17014020140	Rear seat backrest		1

18、座椅（短款）Seat (Short)



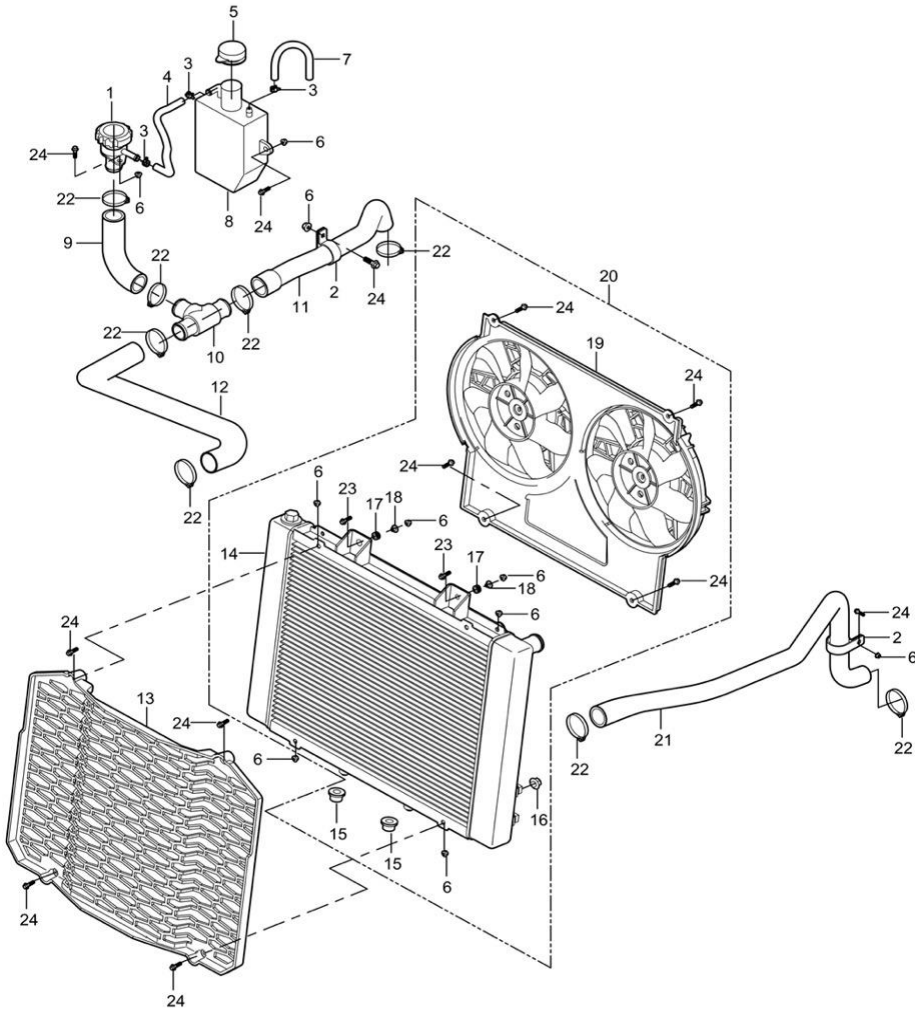
22	01224060165	Hex Flange Bolt M6x16		4
23				
图号 Item No.	ERP 配件编号	英文名称 English name	型号 Specificat ion	单车数量 Quantity
1	17014020110	seat (without off-vehicle alarm)		1
1	17014020130	Seat cushion (with off-vehicle alarm) for E		1
2	17014020250	Front seat rubber cushion		8
3	17014020270	Seat cushion shaft pin		1
4	06119061805	Washer 6.5x18x1	φ6.5xφ18x1	2
5	17014020280	Front seat cushion torsion spring		1
6	17014020290	Front seat cushion latch		1
7	07031050501	E clip spring		1
8				
9				
10				
11				
12				
13				
14				
15				
16				
17				
18				
19				
20				
21				
22				

19、冷却系统Cooling System



19、冷却系统Cooling System

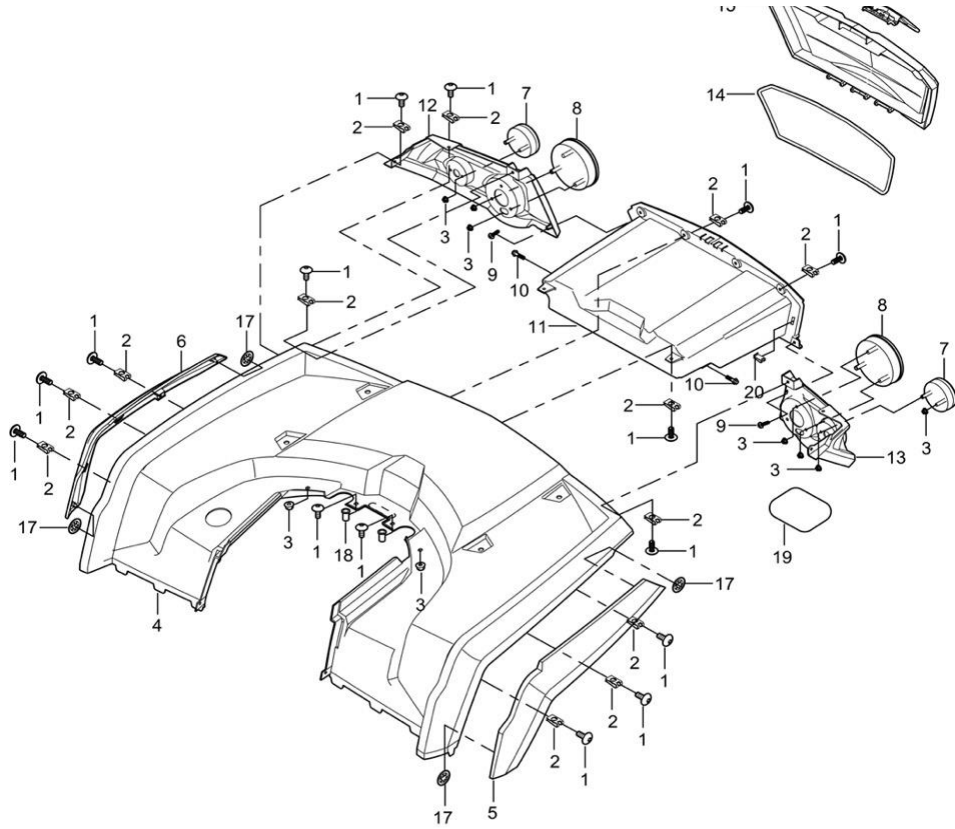
图号 Item No.	ERP 配件编号	英文名称 English name	型号 Specification	单车数量 Quantity
1	21040400913	Radiator cap		1
2	10109380030	Wire Harness Mounting Clamp 3	φ30	2
3	11904070040	Spring hose clip 10	φ10	3
4	17012050080	Sub tank connection pipe	φ7-φ9 L=1	1
5	17012040030	Sub kettle cover		1
6	04612060025	Heagon flange locking nut 6	M6	12
7	17012050080	Sub Kettle Ventilation Tube	φ7-φ9 L=8	1
8	13612040000	Sub kettle		1
9	17012050050	Radiator Cap Hose		1
10	17012050120	Three itting		1
11	17012050010	Engine outlet pipe I		1
12	17012050000	Engine outlet pipe II		1
13	17012020000	Water tank protection cover		1
14	21170101501	Double fan water tank		1
15	13612030030	Lower Mounting Rubber Sleeve For Radia		2
16	21040402202	Temperature sensor Oil cooler		1
17	17012030080	Water Tank Mounting Rubber Sleeve		2
18	17012030090	Water Tank Mounting Inner Sleeve		2
19	21040400933	Fan		1
20	21170101501	Double fan water tank		1
21	17012050020	Engine intake pipe		1
22	17012070000	Clamp 20-32	φ20-φ32	8
23	01224060251	Hex Flange Bolt 6x25	M6x25	2
图号 Item No.	ERP 配件编号	英文名称 English name	型号 Specification	单车数量 Quantity
24	01224060165	Screw hex-flange	M6x16	10



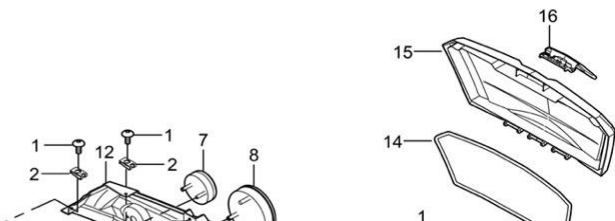
20、后车体组合Rear body assembly

25				
26				
27				
28				
29				
30				
31				
32				
33				
34				
35				
36				
37				
38				
39				
40				
41				
42				
43				
44				
45				
46				
图号 Item No.	ERP 配件编号	英文名称 English name	型号 Specificat ion	单车数量 Quantity
1	03414060124	Phillips head screw	M6×12	16
2	04912060025	Plate Nut (Long)		16
3	04612060026	Heagon flange locking nut 6	M6	10
4	17010200900	rear plastic (black)		

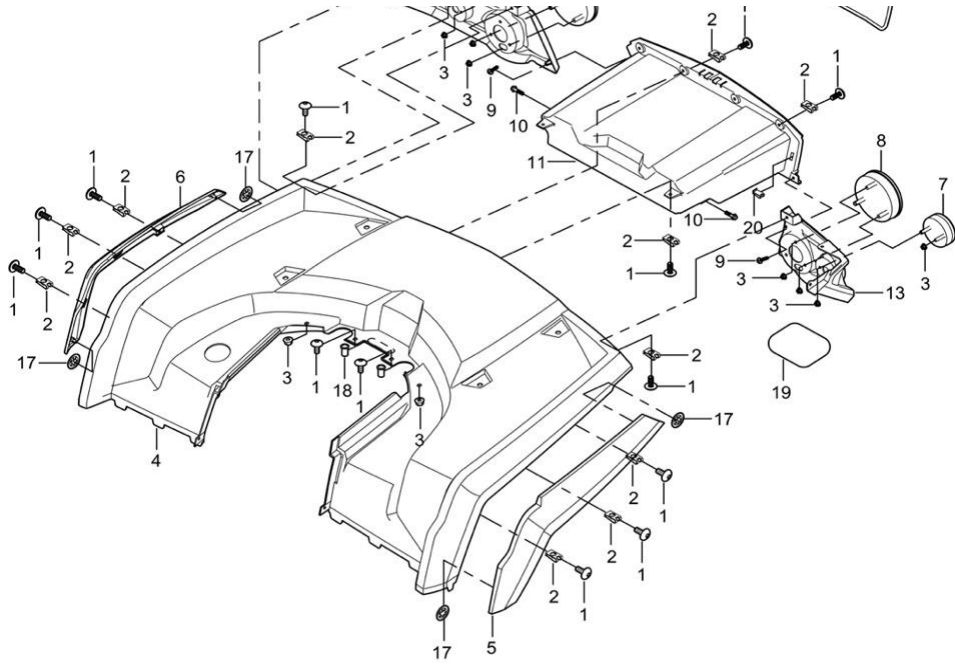




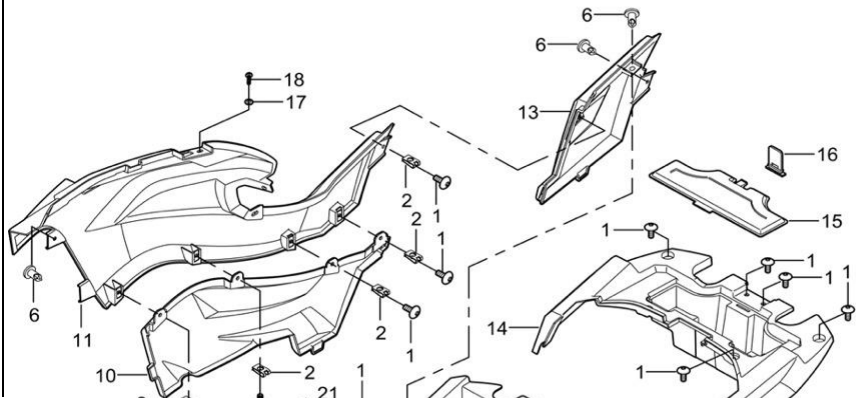
20、后车体组合Rear body assembly



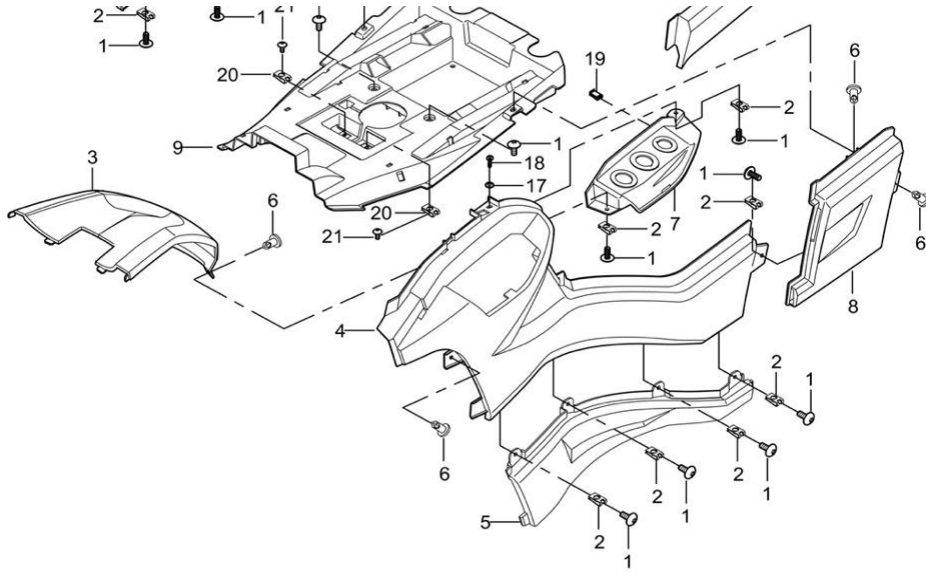
4	17010202830	rear plastic (metallic gray in painting)		
4	17010202940	rear plastic (pearl white in painting)		
4	17010202800	rear plastic (red in painting)		
4	17010202860	rear plastic (camouflage)		
4	17010203130	rear plastic (white)		
5	17010100000	Rear wheel brow left		1
6	17010110000	Rear wheel brow right		1
7	17009400000	Rear Turn Light		2
8	17009070120	Taillight		2
9	03714420165	Tapping screws	ST4.2x12	2
10	01224060165	Screw hex-flange	M6x16	2
11	17010630010	Storage Box		1
12	17009070100	Rear taillight cover (right)		1
13	17009070090	Rear taillight cover (left)		1
14	17010630030	Seal of the container		1
15	17010630020	Storage Box Cap		1
16	17010630170	Storage box handle		1
17	17014110300	Plummer clips	φ5	4
18	04512060027	Rivet Nut 6	M6	2
图号 Item No.	ERP 配件编号	英文名称 English name	型号 Specificat ion	单车数量 Quantity
19	17014130010	Thermal insulation film of the storage box		1
20	16110750000	Metal Snap		2
21				
22				
23				
24				
25				



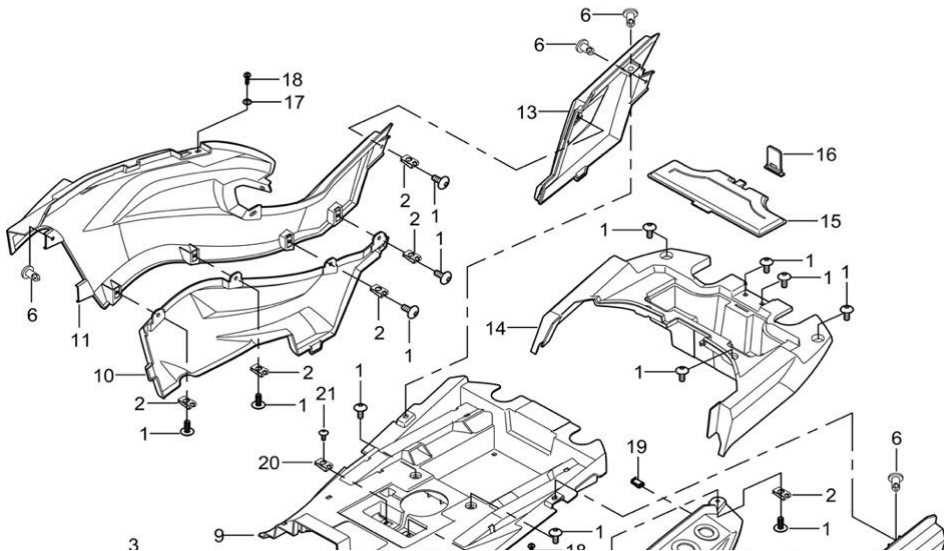
21、侧板组合（长款）Side Board Combination(Long)



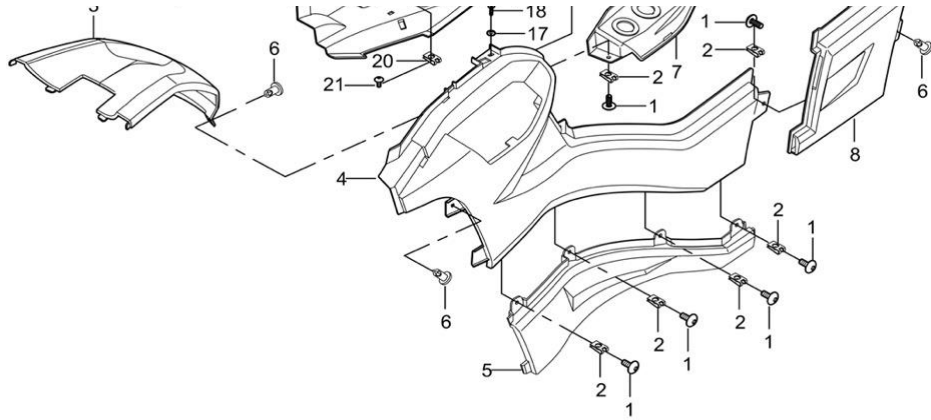
26				
27				
28				
29				
30				
31				
32				
33				
34				
35				
36				
37				
38				
39				
40				
41				
图号 Item No.	ERP 配件编号	英文名称 English name	型号 Specification	单车数量 Quantity
1	03414060124	Phillips head screw	M6×12	29
2	04912060025	Plate Nut (Long)		16
3	17009160220	Instrument base		1
4	17010203060	left side panel (1) (black)		1
4	17010202840	left side panel (1) (metallic gray in painting)		1
4	17010202920	left side panel (1) (pearl white in painting)		1
4	17010203080	left side panel (1) (red in painting)		1
4	17010202870	left side panel (1) (camouflage)		1
4	17010203110	left side panel (1) (white)		1
5	17010202810	Driver Side Board (2)		1



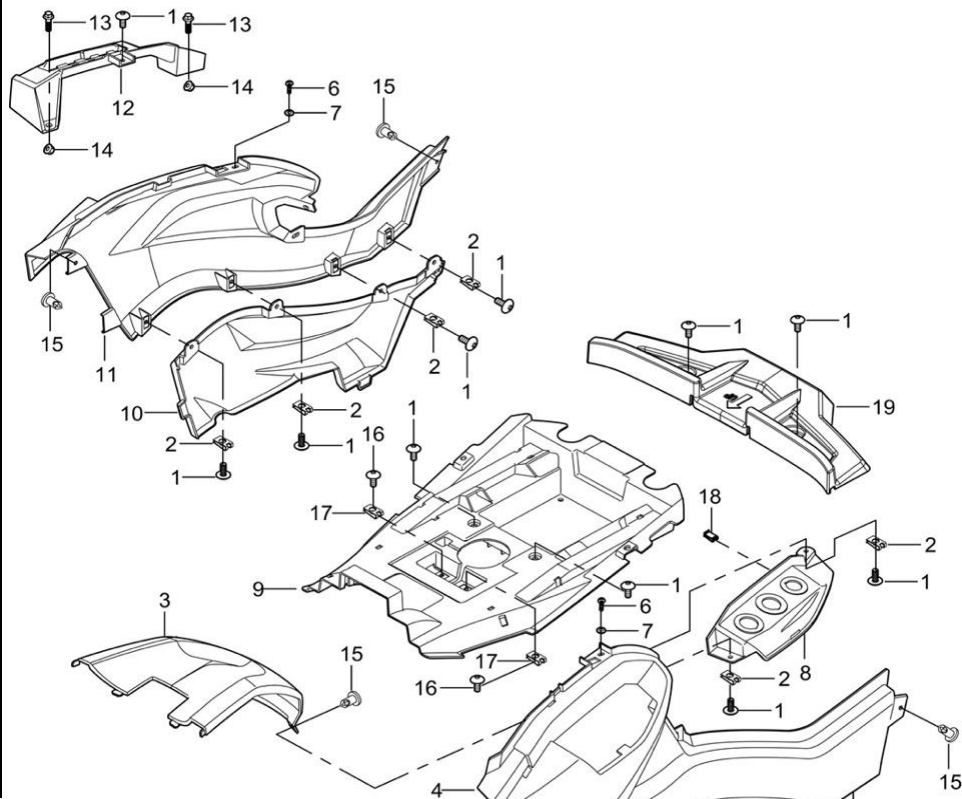
21、侧板组合（长款）Side Board Combination(Long)



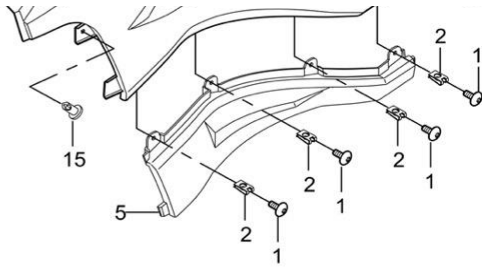
6	10410190000	Push Pin		12
7	17009010260	Electrical mounting plate		1
8	17010202370	Driver Side Board (3)		1
9	17009090130	Seat Board		1
10	17010202820	Passenger Side Board (2)		1
11	17010203070	right side panel (1) (black)		1
11	17010202850	right side panel (1) (metallic gray in paint)		1
11	17010202930	right side panel (1) (pearl white in paint)		1
11	17010203090	right side panel (1) (red in painting)		1
11	17010202880	right side panel (1) (camouflage)		1
11	17010203120	right side panel (1) (white)		1
12	17010360000	Handle Shifting Plate(1000)		1
图号 Item No.	ERP 配件编号	英文名称 English name	型号 Specificat ion	单车数量 Quantity
12	17310360000	Handle Shifting Plate(650/800)		1
13	17010202410	Passenger Side Board (3)		1
14	17010280000	Seat Board		1
15	17010280140	Seat Board Upper Cover		1
16	13610630071	Storage Box Rubber Strip		1
17	06119040905	Washer	φ4×φ9×1	2
18	03714420165	Tapping screws	ST4.2x12	2
19	16110750000	Metal Snap		2
20	04922050024	Plate Nut (M5)	M5	2
21	01224050125	Hex bolt (M5)	M5x12	2
22				
23				
24				
25				



22、侧板组合（短款） Side Board Combination(Short)

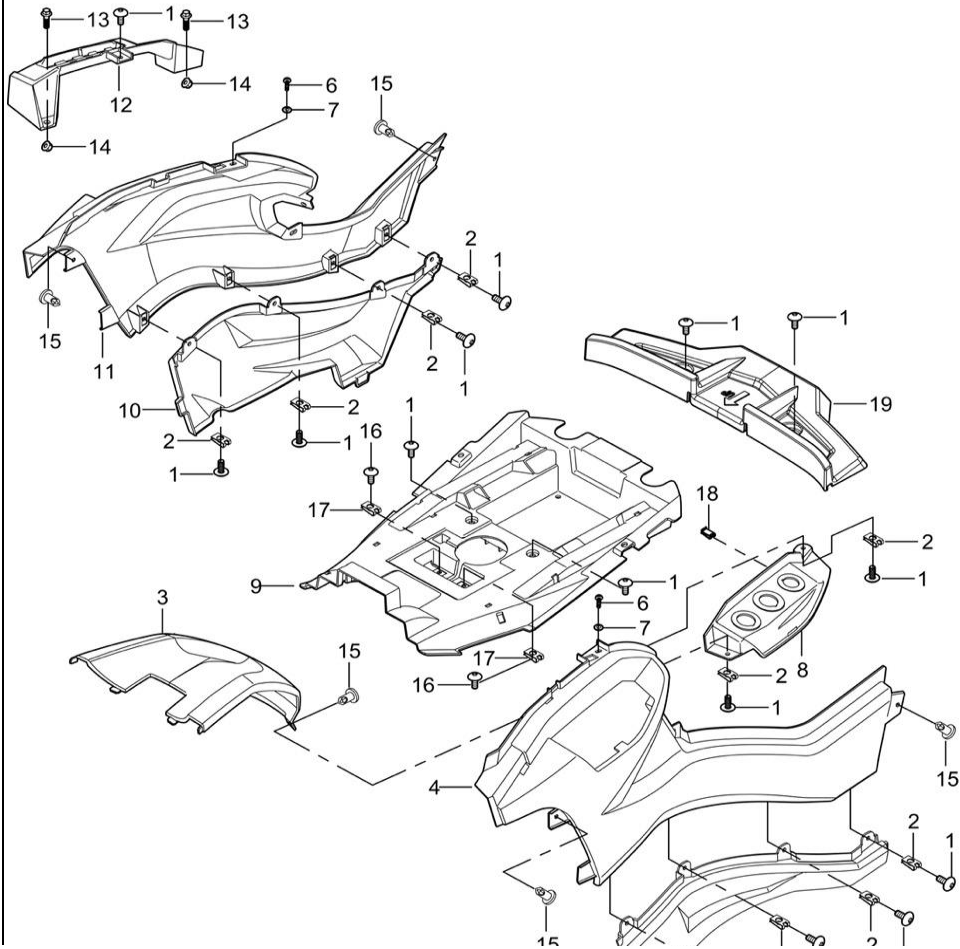


图号 Item No.	ERP 配件编号	英文名称 English name	型号 Specificat ion	单车数量 Quantity
26				
27				
28				
29				
30				
31				
32				
33				
34				
1	03414060164	Phillips head screw	M6x12	27
2	04912060025	Plate Nut (Long)		12
3	17009160220	Instrument base		1
4	17010203060	left side panel (1) (black)		1
4	17010202840	left side panel (1) (metallic gray in painting)		1
4	17010202920	left side panel (1) (pearl white in painting)		1
4	17010203080	left side panel (1) (red in painting)		1
4	17010202870	left side panel (1) (camouflage)		1
4	17010203110	left side panel (1) (white)		1
5	17010202810	Driver Side Board (2)		1
6	03714420165	Tapping screws	ST4.2x12	2
7	06119040905	Washer	φ4×φ9×1	2
8	17009010260	Electrical Mounting Plate		1
9	17009090130	Battery box (plastic)		1
10	17010202820	Passenger Side Board		1
11	17010203070	right side panel (1) (black)		1
11	17010202850	right side panel (1) (metallic gray in painting)		1

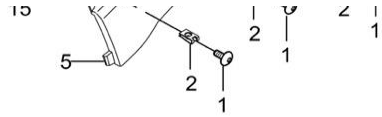


11	17010202930	right side panel (1) (pearl white in paintin	1
11	17010203090	right side panel (1) (red in painting)	1
11	17010202880	right side panel (1) (camouflage)	1
11	17010203120	right side panel (1) (white)	1
12	17010360000	Handle Shifting Plate(1000)	1
12	17310360000	Handle Shifting Plate(650/800)	1

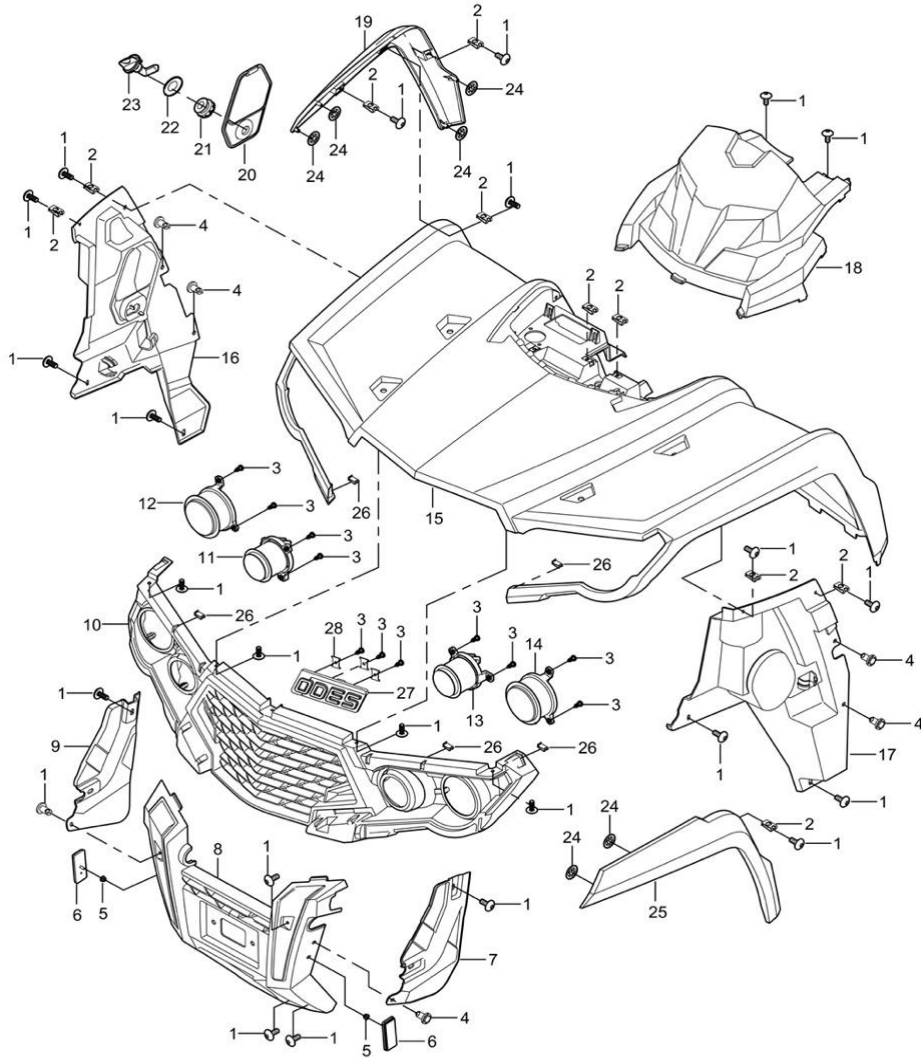
23、前照灯组合Headlamp combination



图号 Item No.	0	英文名称 English name	型号 Specificat ion	单车数量 Quantity
13	01224080306	Hex Flange Bolt	M8x30	2
14	04512080025	Hex Flange Locking Nut 8	M8	2
15	10410190000	Push Pin		8
16	04922050024	Plate Nut (M5)	M5	2
17	01224050125	Hex bolt (M5)	M5x12	2
18	16110750000	Metal Snap		1
19	17010280150	Rear body trim cover		1
20				
21				
22				
23				
24				
25				
26				
27				
28				
29				
30				
31				
32				

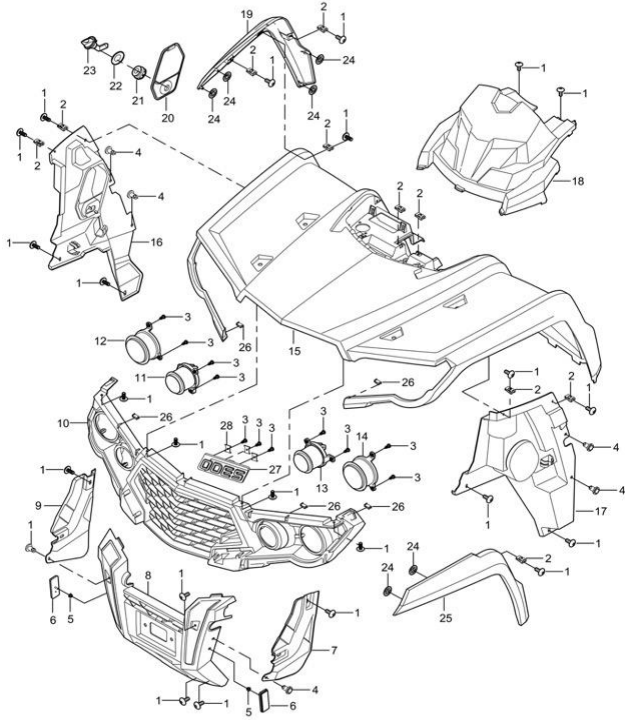


23、前照灯组合 Headlamp combination



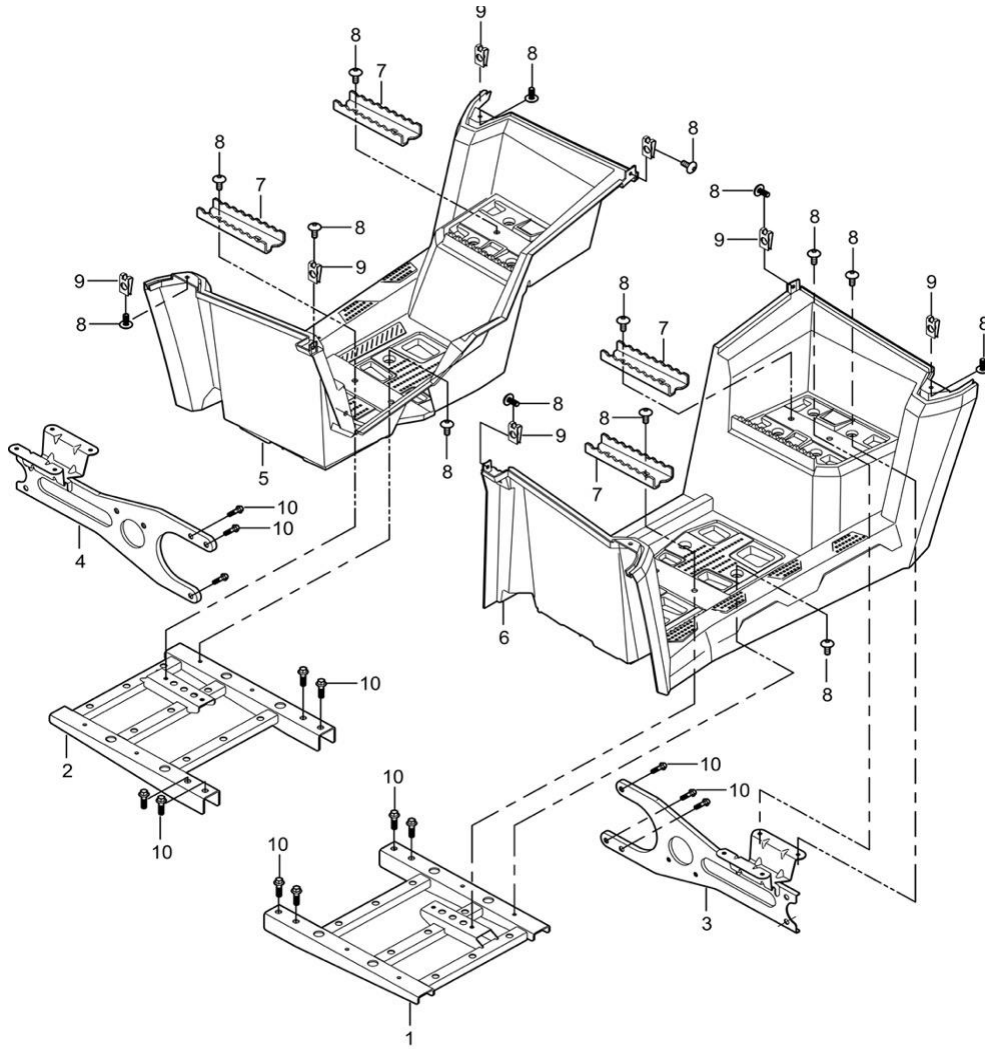
图号 Item No.	ERP 配件编号	英文名称 English name	型号 Specification	单车数量 Quantity
33				
34				
35				
1	03414060164	Phillips head screw	M6x12	29
2	04912060025	Plate Nut (Long)		21
3	03714420165	Tapping screws	ST4.2x12	15
4	10410190000	Push Pin		7
5	04612050025	Heagon flange locking nut 6	M5	2
6	13609180090	Retroreflector (yellow rectangle)		2
7	17010330010	Mud-Guard Board, Driver Side		1
8	17010720000	Winch Cover		1
9	17010330020	Mud-Guard Board, Passenger Side		1
10	17010160000	Front Panel		1
11	17009060020	Headlight,(Right) (High Beam) (LED)		1
12	17009060040	Headlight,(Right) (Low Beam) (LED)		1
13	17009060010	Headlight,(Left) (High Beam) (LED)		1
14	17009060030	Headlight,(Left) (Low Beam) (LED)		1
15	17010201530	front plastic (black)		1
15	17010202780	front plastic (metallic gray in painting)		1
15	17010202910	front plastic (pearl white in painting)		1
15	17010202770	front plastic (red in painting)		1
15	17010202790	front plastic (camouflage)		1
15	17010203100	front plastic (white)		1
16	17010330040	Rear Mud-Guard Boards, Passenger Side		1
17	17010330030	Rear Mud-Guard Boards, Driver Side		1
18	17009160210	Instrument Outside Cover		1

23、前照灯组合Headlamp combination



图号 Item No.	ERP 配件编号	英文名称 English name	型号 Specificat ion	单车数量 Quantity
19	17010680000	Front wheel eyebrow right		1
20	17010690000	Decorative cover plate		1
21	16108150080	Engine panel rubber pad		1
22	06219162205	Washer	φ16×φ22×2	1
23	16110260130	Hood knob switch		1
24	17014110300	Plummer clips	φ5	8
25	17010670000	Front wheel eyebrow left		1
26	16110750000	Metal Snap		10
27	17010030150	Trademark (ODES)		1
28	17010030030	Trademark Mounting Board (ODES)		3
29				
30				
31				
32				
33				
34				
35				
36				
37				
38				
39				
40				
41				
图号 Item No.	ERP 配件编号	英文名称 English name	型号 Specificat ion	单车数量 Quantity
1	17008160000	Footrest Bracket, Left		1

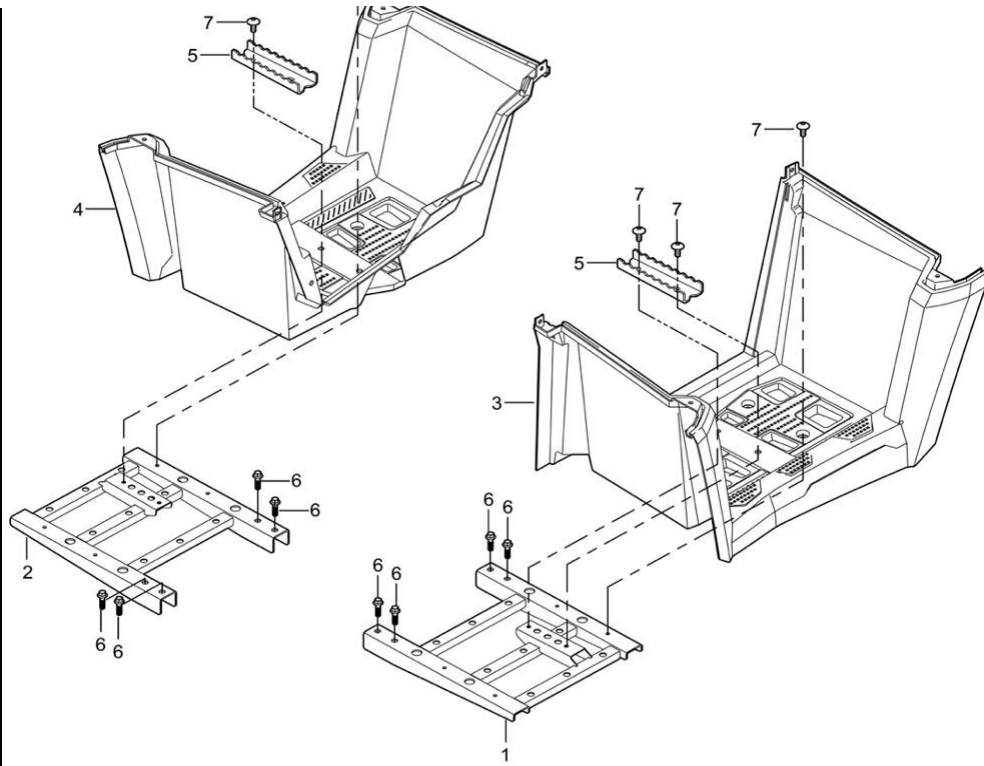
24、脚踏板(长款)Pedal (Long)



25、脚踏板（短款）Pedal (Short)



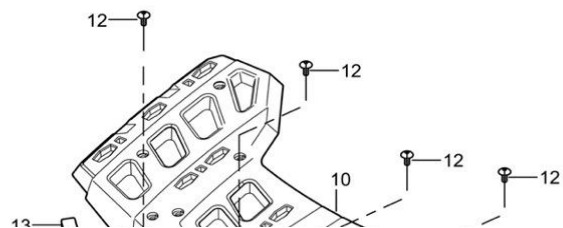
2	17008170000	Footrest Bracket, Right		1
3	17008160050	Footrest Mounting Bracket, Rear, LH		1
4	17008160060	Footrest Mounting Bracket, Rear, RH		1
5	17010080020	Foot Rest, RH (Long)		1
6	17010080010	Foot Rest, LH (Long)		1
7	17000942000	Foot Pedal		4
8	03414060164	Phillips head screw	M6x16	32
9	04912060025	Plate Nut (Long)		16
10	01256100206	Hex Flange Bolt 10x20x1.25	M10x20x1.25	14
11				
12				
13				
14				
15				
16				
17				
18				
19				
20				
21				
22				
23				
图号 Item No.	ERP 配件编号	英文名称 English name	型号 Specification	单车数量 Quantity
1	17008160000	Footrest Bracket, Left		1
2	17008170000	Footrest Bracket, Right		1
3	17310080010	Foot Pedal, LH (Short)		1
4	17310080020	Foot Pedal, RH (Short)		1

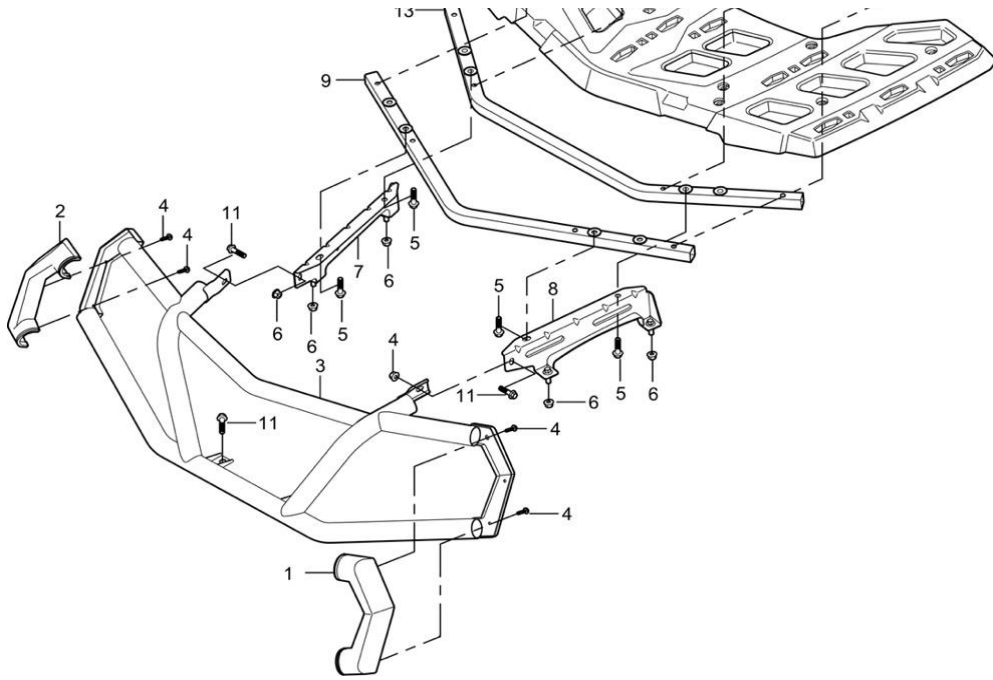


5	17000942000	Foot Pedal		2
6	01256100206	Hex Flange Bolt 10×20×1	M10x20x1.25	8
7	03414060164	Phillips head screw	M6x16	20
8				
9				
10				
11				
12				
13				
14				
15				
16				
17				
18				
19				
20				
21				
22				
23				

26、前货架及前保险杠 Front storage rack and front bumper

图号 Item No.	ERP 配件编号	英文名称 English name	型号 Specificat ion	单车数量 Quantity
1	17010202980	Front bumper cover (Left)		1
2	17010202990	Front bumper cover (Right)		1
3	17008110000	Front bumper		1
4	03714420165	Tapping screws	ST4.2x12	6
5	01214080165	Hex Flange Bolt 8x16	M8x16	4
6	04612080026	Heagon flange locking nut	M8	6
7	17008120160	Front mounting storage rack right		1

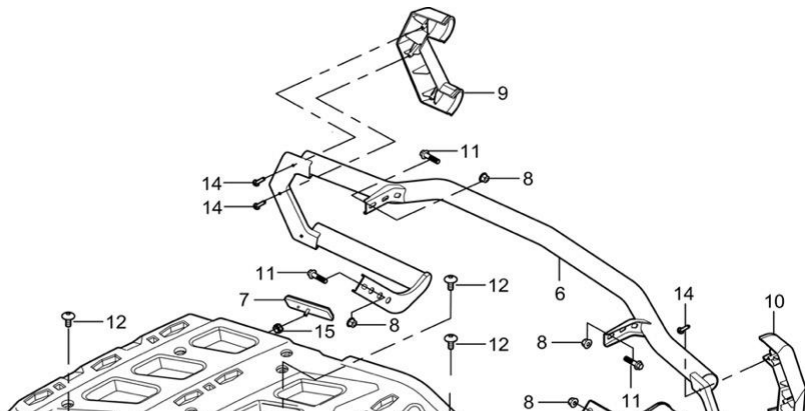


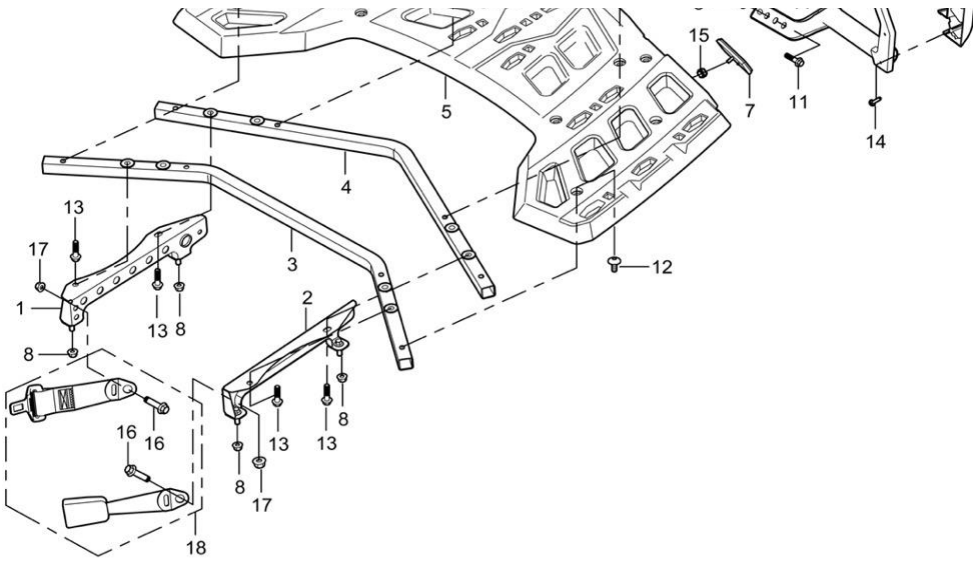


8	17008120170	Front mounting storage rack left		1
9	17008120200	Storage Rack Outer Support Tube		1
10	17010730000	Front Storage Rack Cover		1
11	01224080206	Hex Flange Bolt 8x20	M8x20	4
12	03414060164	Phillips head screw	M6x16	8
13	17008120190	Storage Rack Inner Support Tube		1
14				
15				
16				
17				
18				
19				
20				
21				
22				
23				

27、后货架及保险杠Rear storage rack and bumper

图号 Item No.	ERP 配件编号	英文名称 English name	型号 Specification	单车数量 Quantity
1	17008130140	Rear mounting storage rack right		1
2	17008130130	Rear mounting storage rack left		1
3	17008120190	Storage Rack Inner Support Tube		1
4	17008120200	Storage Rack Outer Support Tube		1
5	17310730000	Front Storage Rack Cover		1
6	17008350080	Rear bumper		1
7	13609180090	Retroreflector (yellow rectangle)		2
8	04612080026	Heagon flange locking nut	M8	8
9	17010203010	Rear bumper cover (Right)		1
10	17010203000	Rear bumper cover (Left)		1

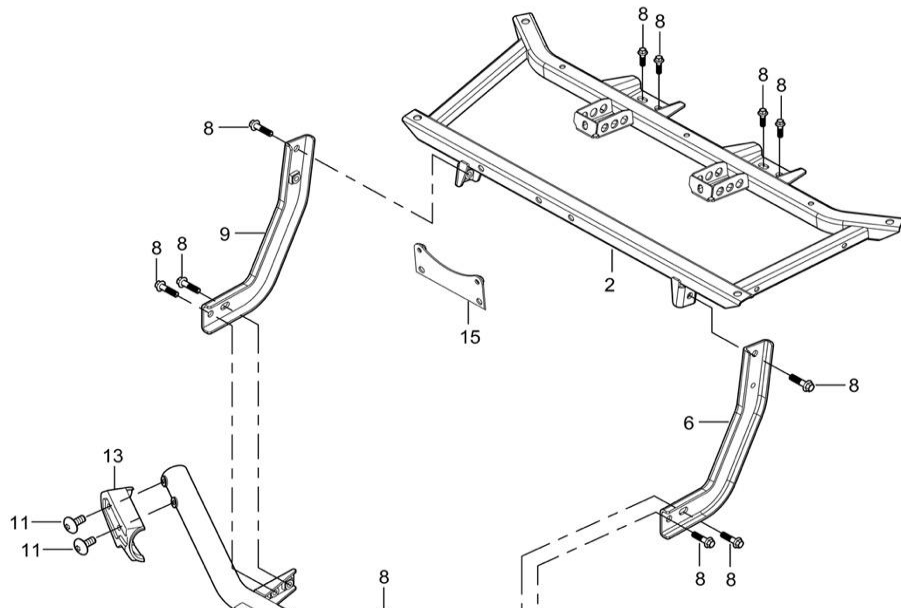


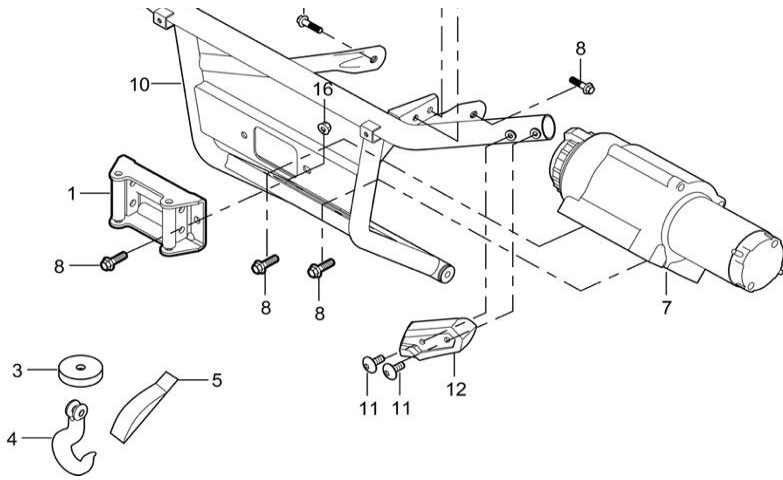


11	01224080206	Hex Flange Bolt 8x20	M8x20	4
12	03414060164	Phillips head screw	M6x16	8
13	01214080165	Hex Flange Bolt 8x16	M8x16	6
14	03714420165	Tapping screws	ST4.2x12	4
15	04612050025	Heagon flange locking nut 6	M5	2
16	01824100225	Hexagonal flange step bolts	M10X1.25	2
17	04622100026	Heagon flange locking nut 10x1.25	M10x1.25	2
18	17011090090	Seat belt		1
19				
20				
21				
22				
23				

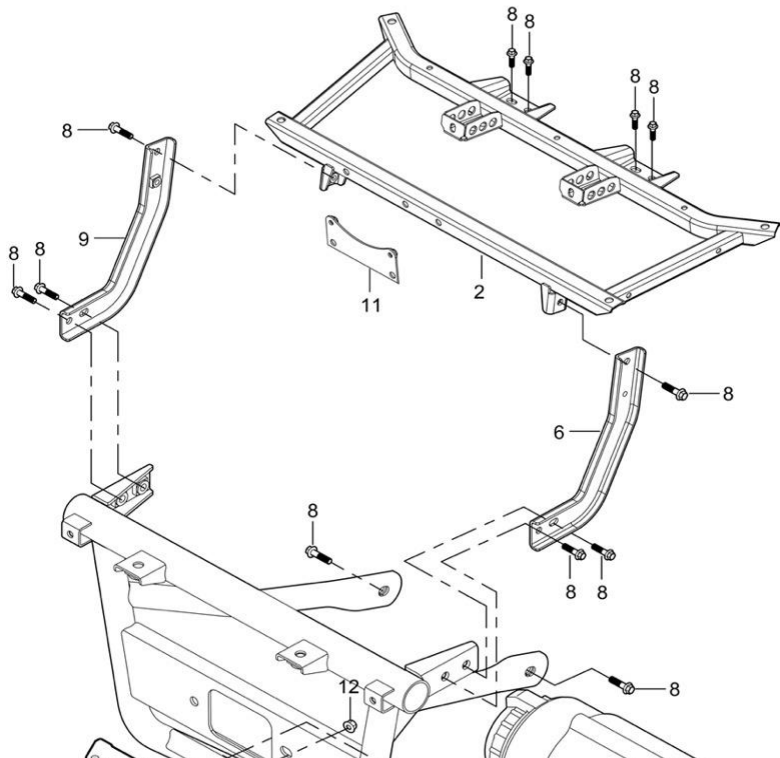
28. 选配件Optional Accessories

图号 Item No.	ERP 配件编号	英文名称 English name	型号 Specification	单车数量 Quantity
1	10914150100	Winch Front Roller Bracket		1
2	17008110020	Inner lining, Front Bumper		1
3	10914060100	Winch Protection Pad		1
4	10914150080	Hook		1
5	10914150090	Anchor Rope		1
6	17008120210	Front shelf liner support (Left)		1
7	10914150111	Front winch body		1
8	01224080206	Hex Flange Bolt 8x20	M8x20	20
9	17008120180	Front shelf liner support (Right)		1
10	17008860000	Winch Bracket		1
11	03414060164	Phillips head screw	M6x16	4
12	17010720010	Tractor bracket cover (left)		1
13	17010720020	Tractor bracket cover (right)		1

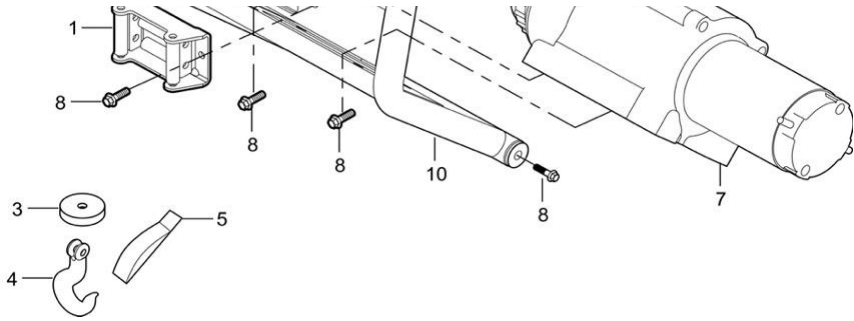




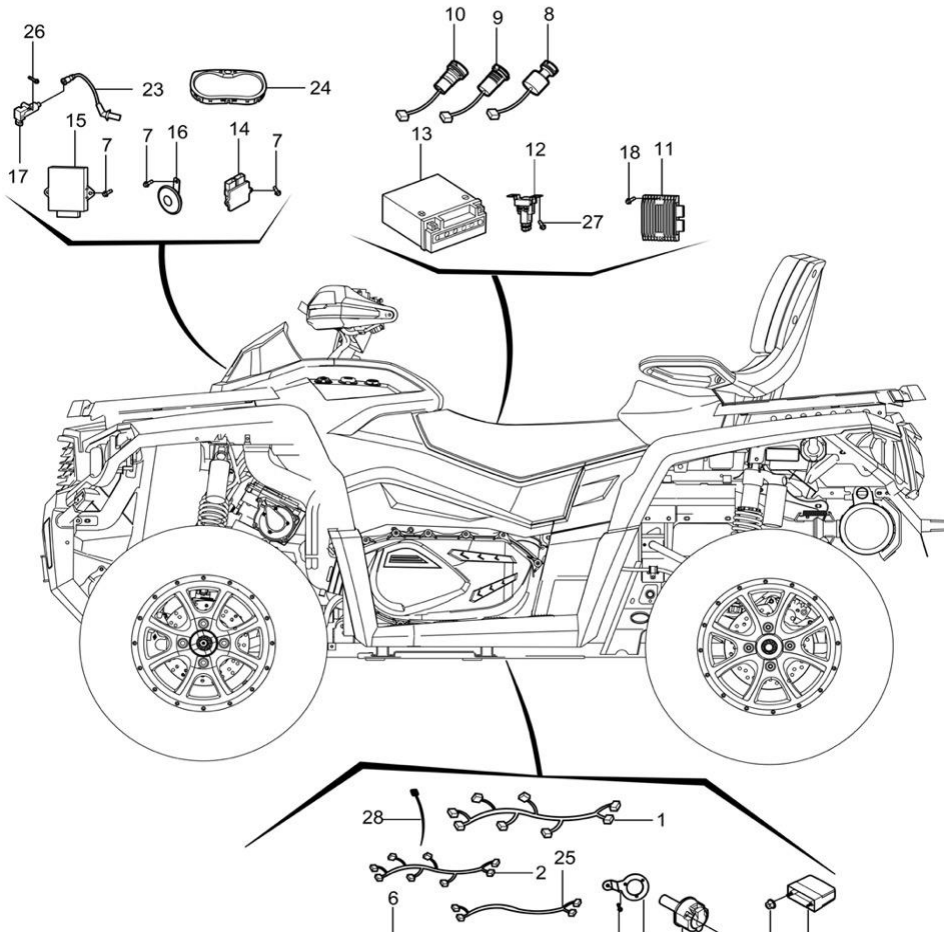
29. 选配件Optional Accessories



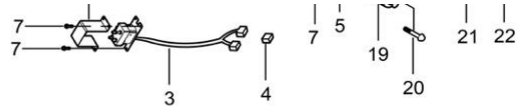
14	04512060027	Rivet Nut 6	M6	1
15	17008120220	Tractor relay mounting plate		1
16	04612080026	Hexagonal flange lock nuts	M8	2
17				
18				
19				
20				
21				
22				
23				
图号 Item No.	ERP 配件编号	英文名称 English name	型号 Specificat ion	单车数量 Quantity
1	10914150100	Winch Front Roller Bracket		1
2	17008110020	Inner lining, Front Bumper		1
3	10914060100	Winch Protection Pad		1
4	10914150080	Hook		1
5	10914150090	Anchor Rope		1
6	17008120210	Front shelf liner support (Left)		1
7	10914150111	Front winch body		1
8	01224080206	Hex Flange Bolt 8x20	M8x20	20
9	17008120180	Front shelf liner support (Right)		1
10	17308860000	Winch Bracket		1
11	17008120220	Tractor relay mounting plate		1
12	04612080026	Hexagonal flange lock nuts	M8	2
13				
14				
15				
16				



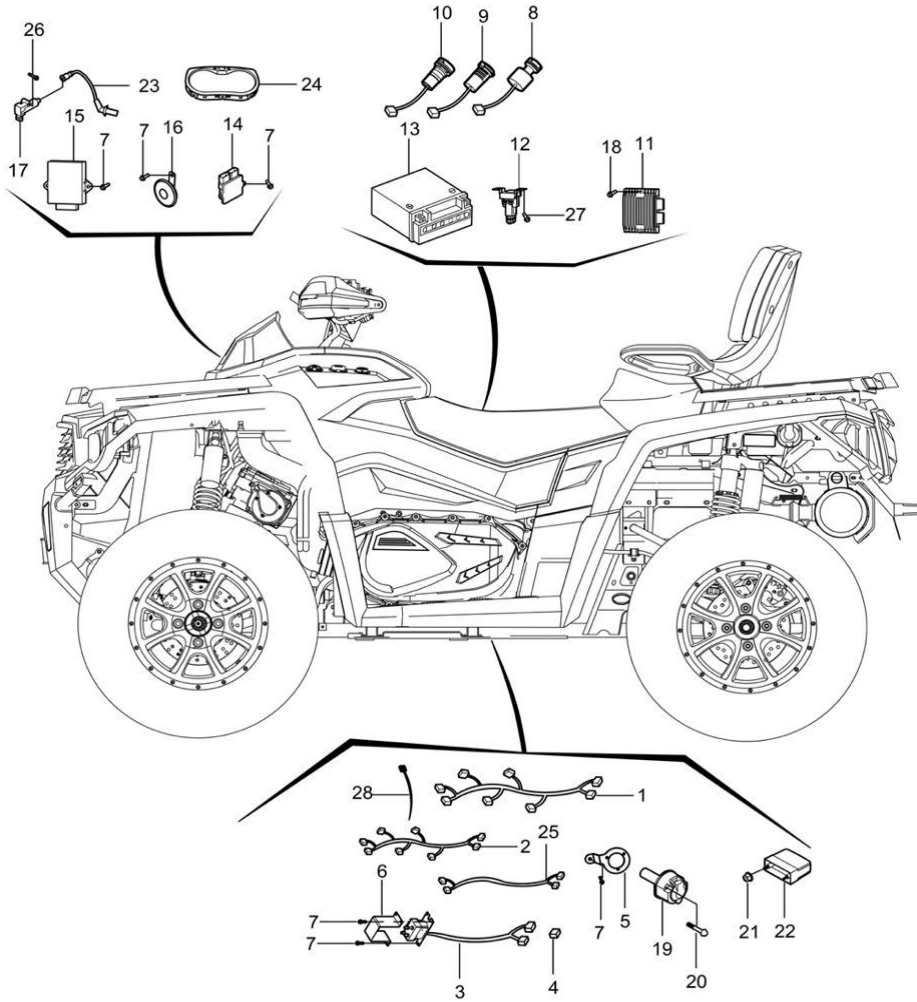
30、电器件Electrical parts



图号 Item No.	ERP 配件编号	英文名称 English name	型号 Specification	单车数量 Quantity
17				
18				
19				
20				
21				
22				
23				
1	17009020040	Wire harness		1
2	17009410000	Engine Wire Harness		1
3	17014150340	Winch Controller Box with cable Assy		1
4	17009520000	Traction machine overcurrent protector		1
5	17008420050	Trailer power fixing plate		1
6	10914150010	Winch Controller Box Cap		1
7	01224060165	Screw hex-flange	M6x16	10
8	17009030000	Electric lock + directional lock		1
9	14709300010	USB Block		1
10	13609300000	Power Socket		1
11	21040400601	Voltage regulator (high power)		1
12	17009300000	Starter relay		1
13	17009090000	Battery		1
14	21040400501	ECU Module		1
15	17009370010	Gear controller (T3a/b)		1
16	10409100000	Horn		1
17	21040400201	Ignition Coil		1
18	01214060355	Hex Flange Bolt 6x35	M6x35	1
19	13608420060	Trailer power supply		1



30、电零件Electrical parts



20	03144050355	Cross Round Head Bolt	M5x35	3
21	04612050025	Heagon flange locking nut 6	M5	2
22	17009140000	Plate light		1
23	21170102401	Spark Plug Cable L=150mm		1
图号 Item No.	ERP 配件编号	英文名称 English name	型号 Specifacation	单车数量 Quantity
24	17009160190	Display		1
25	13608420160	Trailer power adapter cable		1
26	01254060356	Screw hex-flangeM6x35	M6x35	2
27	03414060164	Phillips head screw	M6x16	2
28	90103040041	Nylon cable ties	8x200	60
29				
30				
31				
32				
33				
34				
35				
36				
37				
38				
39				
40				
41				
42				
43				
44				
45				

46				
----	--	--	--	--



