

ATV800 爆炸图

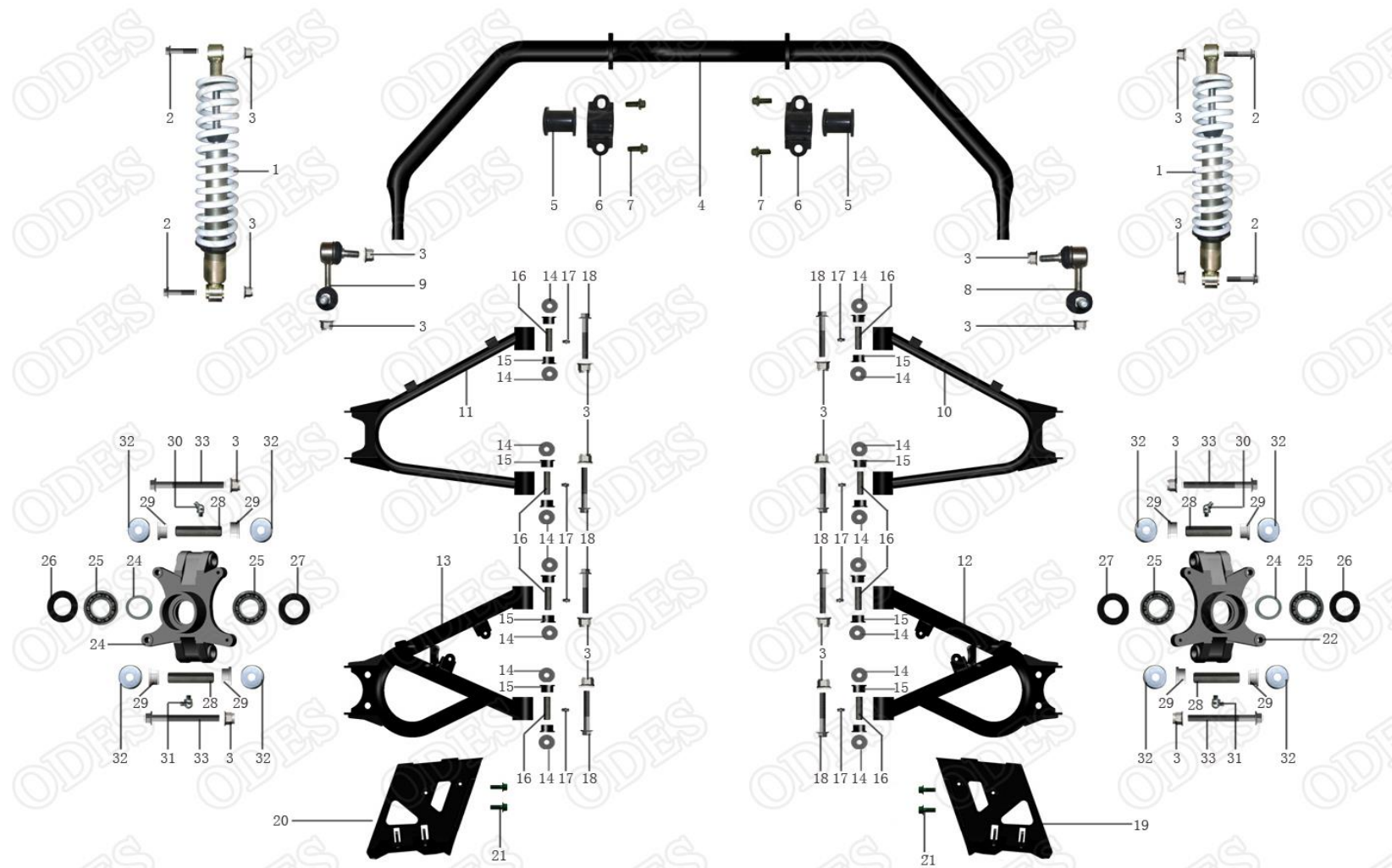
编制：杨志美

1.前悬挂系统								
图号 Item No.	ERP 配件编号	中文名称 Chinese name	英文名称 English name	型号 Specification	单车数量 Quantity	单价 Unit price	重量 (Kgs) Single weight	备注 Remark
1	13601010000	前减震器 (白色)	Front shock(white)		2			
2	01256100556	六角法兰螺栓	Hexagon flange bolts	M10x55x1.25	4			
3	04622100026	六角法兰防松螺母	Hexagon flange locking nut	M10x1.25	4			
	13605210000	转向节总成 (左)	Steering knuckle assy, driverside		1			
	13605220000	转向节总成 (右)	Steering knuckle assy, passenger side		1			
4	13605210000	转向节 (左)	Steering knuckle, driverside		1		1.35kg	转向节总成附件 Steering knuckle assy accessories
5	13605220000	转向节 (右)	Steering knuckle, passengerside		1		1.35kg	
6	09561726203	轴承 (双面密封)	Bearing (double sealed)	SKF1726203	2			
7	07011550004	孔用弹性挡圈	Snap ring	φ55	2			
8	01256100406	六角法兰螺栓	Hexagon flange bolts	M10x40x1.25	2			
3	04622100026	六角法兰防松螺母	Hexagon flange locking nut	M10x1.25	2			
9	13606010100	前碟刹盘护板	Front disc brake guard board		2			
10	01224060125	六角法兰螺栓	Hexagon flange bolts	M6x12	6			
11	13601190011	球头 (上)	Ball joint, upper	φ 34	2			Modified in 17th.oct 2016
12	13601190021	球头 (下)	Ball joint, lower	φ 34	2			Modified in 17th.oct 2016
13	07031340004	轴用弹性挡圈	Sanp ring	φ 34	4			
14	06119102005	平垫	Flat washer	φ10.5×φ20×2	2			
15	04722120025	开槽螺母	Slotted nut	M10x1.25	2			Modified in 17th.oct 2016
16	05011250255	开口销	Cotter	φ2.5x25	2			
17	13601060000	前上摆臂 (左) (喷漆)	Front upper A-arm, driver side, (painting)		1			
18	13601070000	前上摆臂 (右) (喷漆)	Front upper A-arm, passenger side, (painting)		1			
19	13601080000	前下摆臂 (左) (喷漆)	Front lower A-arm, driverside, (painting)		1			
20	13601090000	前下摆臂 (右) (喷漆)	Front lower A-arm, passenger side, (painting)		1			
21	13601070030	摆臂尼龙套保护盖	A-arm nylon sleeve cover		16			
22	10401070020	摆臂尼龙套	A-arm nylon sleeve		16			
23	13601070010	摆臂内衬套	A-arm neck bush		8			
24	10901070090	黄油咀 (白色)	Butter nozzle(white)		8			
25	01256100756	六角法兰螺栓	Hexagon flange bolts	M10x75x1.25	8			
3	04622100026	六角法兰防松螺母	Hexagon flange locking nut	M10x1.25	8			
26	13601080010	前下摆臂护板 (左)	Front lower A-arm guard board, driverside		1			

ATV800 爆炸图

编制：杨志美

27	13601090010	前下摆臂护板 (右)	Front lower A-arm guard board, passenger side		1			
28	01224060165	六角法兰螺栓	Hexagon flange bolts	M6x16	2			



ATV800 爆炸图

编制：杨志美

2.后悬挂系统								
图号 Item No.	ERP 配件编号	中文名称 Chinese name	英文名称 English name	型号 Specification	单车数量 Quantity	单价 Unit price	重量 (Kgs) Single weight	备注 Remark
1	13601020020	后减震器 (白色)	Rear shock(white)		2			
2	01256100556	六角法兰螺栓	Hexagon flange bolts	M10x55x1.25	4			
3	04622100026	六角法兰防松螺母	Hexagon flange locking nut	M10x1.25	4			
4	13601210020	横向稳定杆	Stabilizer bar		1		1.4kg	
5	10701210040	横向稳定器减震橡胶套	Anti roll bar rubber bush		2			
6	10701210030	横向稳定器卡箍	Anti roll bar clamp		2			
7	1214080165	六角法兰螺栓	Hexagon flange bolts	M8x16	4			
8	10701210010	横向稳定器拉杆 (左)	Anti roll bar tie rod , driver side		1		0.2kg	
9	10701210050	横向稳定器拉杆 (右)	Anti roll bar tie rod , passenger side		1		0.2kg	
3	04622100026	六角法兰防松螺母	Hexagon flange locking nut	M10x1.25	4			
10	13601100020	后上摆臂 (左) (喷漆)	Rear upper A-arm, drive side (painting)		1		1.0kg	
11	13601110010	后上摆臂 (右) (喷漆)	Rear upper A-arm, passenger side (painting)		1		1.0kg	
12	13601120000	后下摆臂 (左) (喷漆)	Rear lower A-arm, drive side (painting)		1		1.8kg	
13	13601130000	后下摆臂 (右) (喷漆)	Rear lower A-arm, passenger side (painting)		1		1.8kg	
14	13601070030	摆臂尼龙套保护盖	A-arm nylon sleeve cover		16			
15	10401070020	摆臂尼龙套	A-arm nylon sleeve		16			
16	13601070010	摆臂内衬套	A-arm neck bush		8			
17	10901070090	黄油咀 (白色)	Butter nozzle(white)		8			
18	01256100756	六角法兰螺栓	Hexagon flange bolts	M10x75x1.25	8			
3	04622100026	六角法兰防松螺母	Hexagon flange locking nut	M10x1.25	8			

ATV800 爆炸图

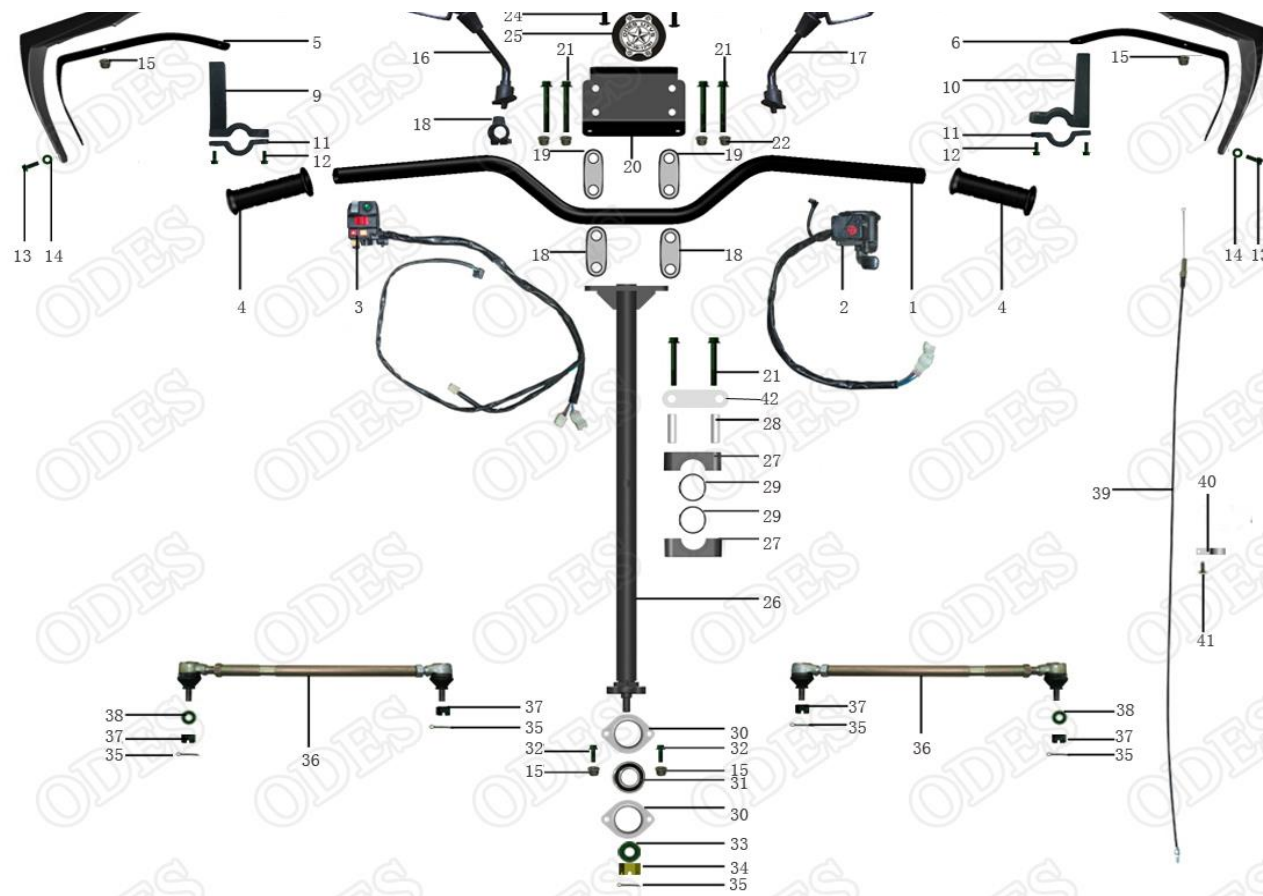
编制：杨志美

19	13601120020	后下摆臂护板 (左)	Rear lower A-arm guard board, driverside		1			
20	13601130020	后下摆臂护板 (右)	Rear lower A-arm guard board, passenger side		1			
21	01224060165	六角法兰螺栓	Hexagon flange bolts	M6x16	4			
	13201200050	支撑节总成 (左)	Knuckle assy, driver side		1		3.15kg	
	13201200060	支撑节总成 (右)	Knuckle assy, passenger side		1		3.15kg	
22	13201200080	支撑节 (左)	Knuckle, driver side		1			支撑节总成附件 Supporting knuckle assy accessories
23	13201200090	支撑节 (右)	Knuckle, passenger side		1			
24	10501200010	支撑节隔套	Knuckle neck bush		2			
25	09560006206	轴承 (双面密封)	Bearing (double sealed)	6206	4			
26	11010042628	油封	Oil seal	42x62x8	2			
27	11010038627	油封	Oil seal	38x62x7	2			
28	10501200040	支撑节 内衬套	Knuckle neck bush		4			
29	10501200030	支撑节 固定套	Knuckle fixing sleeve		8			
30	13201200070	支撑节黄油咀 (45度)	Butter nozzle(45 degrees)		2			
31	13201200100	支撑节黄油咀 (90度)	Butter nozzle(90 degrees)		2			
32	10501200020	支撑节油封	Knuckle Oil seal		8			
33	01256101056	六角法兰螺栓	Hexagon flange bolts	M10x105x1.25	4			
3	04622100026	六角法兰防松螺母	Hexagon flange locking nut	M10x1.25	4			



ATV800 爆炸图

编制：杨志美



ATV800 爆炸图

编制：杨志美

3.转向系统/steering System								
图号 Item No.	ERP 配件编号	中文名称 Chinese name	英文名称 English name	型号 Specification	单车数量 Quantity	单价 Unit price	重量 (Kgs) Single weight	备注 Remark
1	13605160000	车把弯管	Handle bar		1		1.45kg	
2	13611070000	加油器	Oiler		1			
3	13609190080	组合开关	Combinator switch		1			
4	13605130000	把套	Handle grip		2		0.05kg	
5	13605160100	车把护罩内衬支架 (左)	Handle bar shield inner bracket, left		1			
6	13605160110	车把护罩内衬支架 (右)	Handle bar shield inner bracket, right		1			
7	13605160080	车把护罩 (左)	Handle bar shield , left		1		0.25kg	
8	13605160090	车把护罩 (右)	Handle bar shield , right		1			
9	13605160030	车把护罩支架 (左)	Handle bar shield bracket , left		1			17th,oct 2016 2016
10	13605160040	车把护罩支架 (右)	Handle bar shield bracket, right		1			17th,oct 2016 2016
11	13605160050	车把护罩压块	Handle bar shield block		2			17th,oct 2016 2016
12	01524060165	小头六角法兰螺栓	Small head hexagon flange bolt	M6x16	4			17th,oct 2016 2016
13	01224060165	六角法兰螺栓	Hexagon flange bolts	M6x16	6			
14	06119061805	平垫	Flat washer	Φ6.5xΦ18x1	6			
15	04612060025	六角法兰防松螺母	Hexagon flange locking nut	M6	2			
16	13605140000	后视镜 (左)	View mirror, left		1			
17	13605150000	后视镜 (右)	View mirror, right		1			
18	13605140020	后视镜座	Mirror base		1			Modified in 17th,oct 2016 2016
19	13605170010	车把压块	Handle bar block		4		0.025kg	
20	13605160130	车把中间护罩定位板	Handle bar middle shield location board		1			
21	01214080655	六角法兰螺栓	Hexagon flange bolts	M8x65	4			
22	04612080025	六角法兰防松螺母	Hexagon flange locking nut	M8	4			

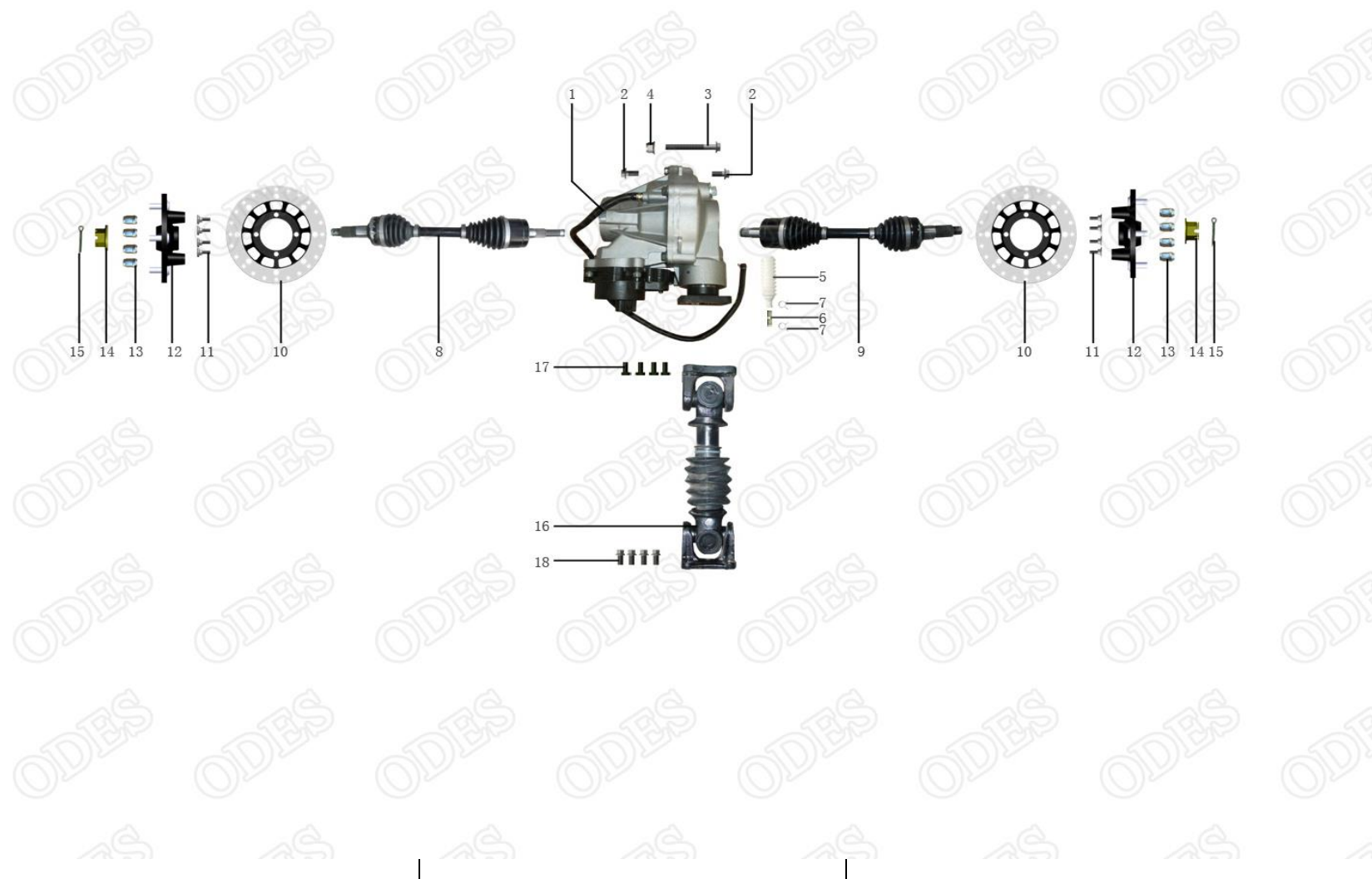
ATV800 爆炸图

编制：杨志美

23	13605160120	车把中间护罩	Handle bar middle shield		1		0.15kg	
24	03114060165	十字盘头螺栓	#HIÁNYZIK	M6x16	4			
25	13613060010	水晶标贴 (ODES)	Crystal decal (ODES)		1			
26	13605050000	方向柱	Steering column		1		1.85kg	
27	13605190000	方向柱卡块	Steering column fixture block		2			
28	13605190010	方向柱卡块内衬套	Steering column fixture block neck bush		2		0.025kg	
29	11020038310	O型圈	O-ring	φ32.5x3	2			
21	01214080655	六角法兰螺栓	Hexagon flange bolts	M8x65	2			
30	13605050080	方向柱下支座轴承室	Steering column lower bearing base		2		0.025kg	
31	09561726203	轴承 (双面密封)	Bearing (double sealed)	CS203LU	1		0.05kg	
32	01224060205	六角法兰螺栓	Hexagon flange bolts	M6x20	2			
15	04612060025	六角法兰防松螺母	Hexagon flange locking nut	M6	2			
33	06119122205	平垫	Flat washer	φ12.5xφ22x1.5	1			17th,oct 2016 2016
34	04722120025	开槽螺母	Slotted nut	M12x1.25	1			17th,oct 2016 2016
35	05011250255	开口销	Cotter	φ2.5x25	1			
36	13605120001	转向拉杆	Steering link		2		0.7kg	17th,oct 2016 2016
37	04712100022	开槽螺母	Slotted nut	M10x1.25	4			17th,oct 2016 2016
35	05011250255	开口销	Cotter	φ2.5x25	4			
38	06119102005	平垫	Flat washer	φ10.5×φ20×2	2			
39	13611010010	油门线	Throttle cable		1			
40	13611010240	油门线固定卡	Thrttle cable fixing clip		1			17th,oct 2016 2016
41	03714420125	自攻钉	Tapping screws	ST4.2x12	1			
42	13605190030	方向柱卡块垫片	Steering column block washer		1			17th,oct 2016 2016

ATV800 爆炸图

编制：杨志美



ATV800 爆炸图

编制：杨志美

4.前传动系统								
图号 Item No.	ERP 配件编号	中文名称 Chinese name	英文名称 English name	型号 Specification	单车数量 Quantity	单价 Unit price	重量 (Kgs) Single weight	备注 Remark
1	13203100000	前减器总成 (台州金纳)	Front differential assembly		1		8.15kg	Modified in 17th.oct 2016
2	01256100256	六角法兰螺栓	Hexagon flange bolts	M10x25x1.25	2			
3	01256100956	六角法兰螺栓	Hexagon flange bolts	M10x95x1.25	1			
4	04622100026	六角法兰防松螺母	Hexagon flange locking nut	M10x1.25	1			
5	10903100090	气囊	Air bag		1			
6	10903100220	气囊连接管	Air bag connecting tube		1			减器总成带有 Along with reducer
7	10903100100	气囊卡箍	Air bag clip		2			
8	13601220000	前半轴 (左)	Front C.V.shaft, driver side		1		4.2kg	
9	13601230000	前半轴 (右)	Front C.V.shaft, passenger side		1		4.2kg	
10	13606010020	前碟刹盘	Front disc brake		2		0.8kg	
11	01824080201	内六角T型螺栓	Hexagon socket T bolt	M8x20	8			
12	13601030000	前驱动盘总成	Front wheel-hub assy		2		1.6kg	
13	04312100021	盖形螺母	Cover bolt	M10x1.5	8			
14	04812200022	带盘开槽螺母	Reel slot nut	M20x1.5	2			
15	05011400405	开口销	Cotter	φ4.0x40	2			
16	13603110000	前传动轴	Front transmission shaft		1		2.85kg	
17	01144080206	六角螺栓	Hexagon bolt	M8x20x1.0	4			
18	01566100206	小头六角法兰螺栓	Small head hexagon flange bolt	M10x20x1.25	4			



12---53

ATV800 爆炸图

编制：杨志美



ATV800 爆炸图

编制：杨志美

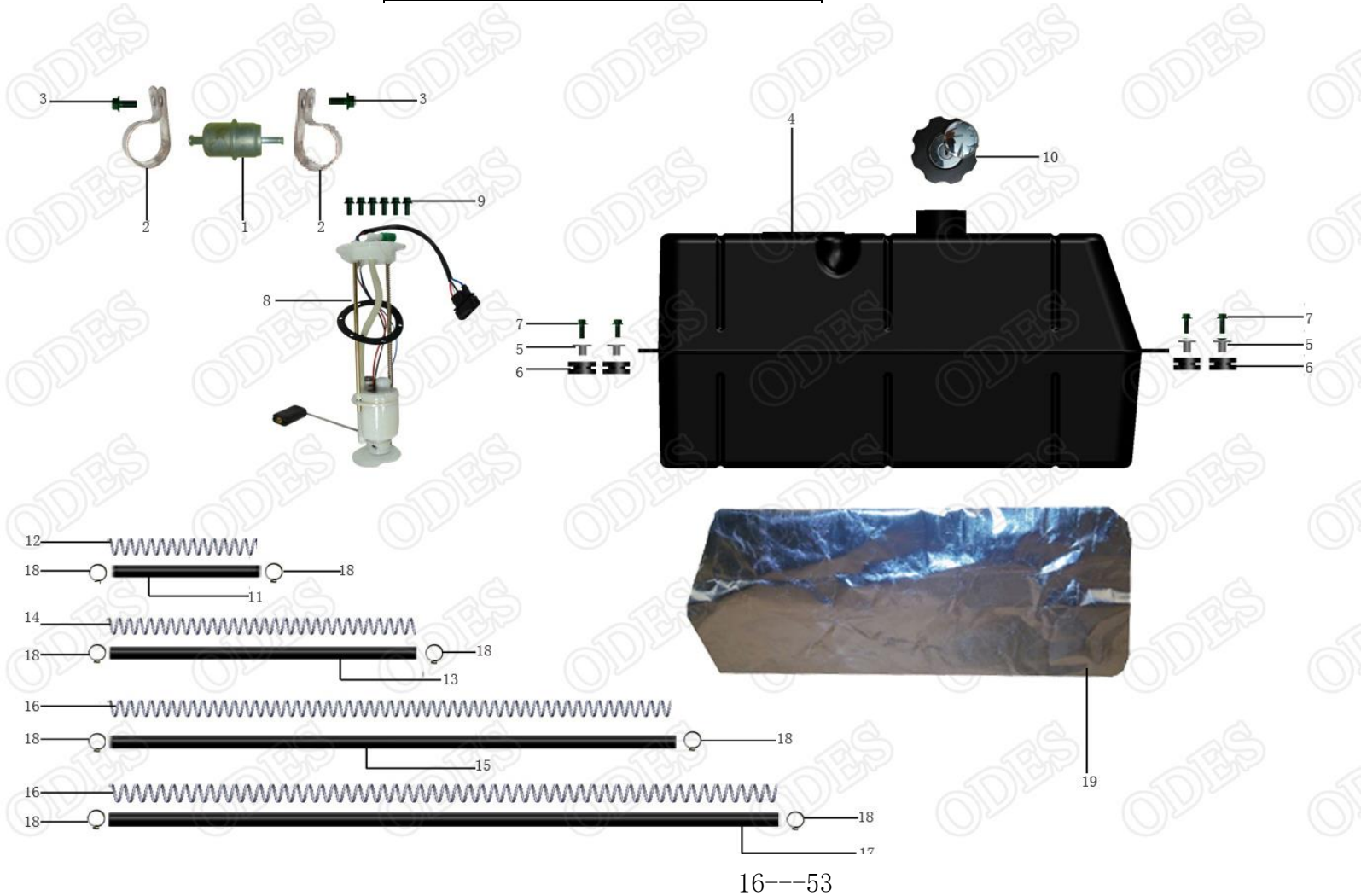
5.后传动系统								
图号 Item No.	ERP 配件编号	中文名称 Chinese name	英文名称 English name	型号 Specification	单车数量 Quantity	单价 Unit price	重量 (Kgs) Single weight	备注 Remark
1	13603120000	后减速器总成 (台州金纳)	Rear reducer(Taizhou Jinna)		1			
2	01256101156	六角法兰螺栓	Hexagon flange bolts	M10x115x1.25	2			17th,oct 2016 2016
3	04622100026	六角法兰防松螺母	Hexagon flange locking nut	M10x1.25	2			
4	10903100090	气囊	Air bag		1			减速器总成带有
5	10903100220	气囊连接管	Air bag connecting tube		1			
6	10903100100	气囊卡箍	Air bag clip		2			
7	13608250000	后桥前部附加固定件	Front additional mounting plate for reducer		1			
8	01256100256	六角法兰螺栓	Hexagon flange bolts	M10x25x1.25	1			
3	04622100026	六角法兰防松螺母	Hexagon flange locking nut	M10x1.25	1			
9	13603130000	后传动轴	Rear transmission shaft		1		3.75kg	
10	01566100206	小头六角法兰螺栓	Small head hexagon flange bolt	M10x20x1.25	10			
11	13601240000	后半轴 (左)	Rear C.V. shaft, driver side		1		3.6kg	
12	13601250000	后半轴 (右)	Rear C.V. shaft, passenger side		1		3.6kg	
13	13206010340	后碟刹盘 (左)	Rear brakes, driver side		1			
14	13206010350	后碟刹盘 (右)	Rear brakes, passenger side		1			
15	01824080201	内六角T型螺栓	Hexagon socket T bolt	M8x20	8			
16	13201040000	后驱动盘总成	Rear wheel-hub assy		2			
17	04312100021	盖形螺母	Cover bolt	M10x1.5	8			
18	04812224022	带盘开槽螺母	Reel slot nut	M24x1.5	2			
19	05011400405	开口销	Cotter	φ4.0x40	2			



ATV800 爆炸图

编制：杨志美

6.前后轮胎									
图号 Item No.	ERP 配件编号	中文名称 Chinese name	英文名称 English name	型号 Specification	单车数量 Quantity	单价 Unit price	重量 (Kgs) Single weight	备注 Remark	
1	13605030410	前轮胎	Front tire	26x9-14	2			modified in 17th oct 2016	
2	13605030400	前轮钢	Front rim	14x7	2				
3	10405230030	气门嘴	Tire valve		4				
4	13605030420	后轮胎	Rear tire	26x11-14	2			modified in 17th oct 2016	
5	13605040260	后轮钢	Rear rim	14x8	2				
6	10405230020	车轮防尘碗	Dust-proof cover		4				



ATV800 爆炸图

编制：杨志美



ATV800 爆炸图

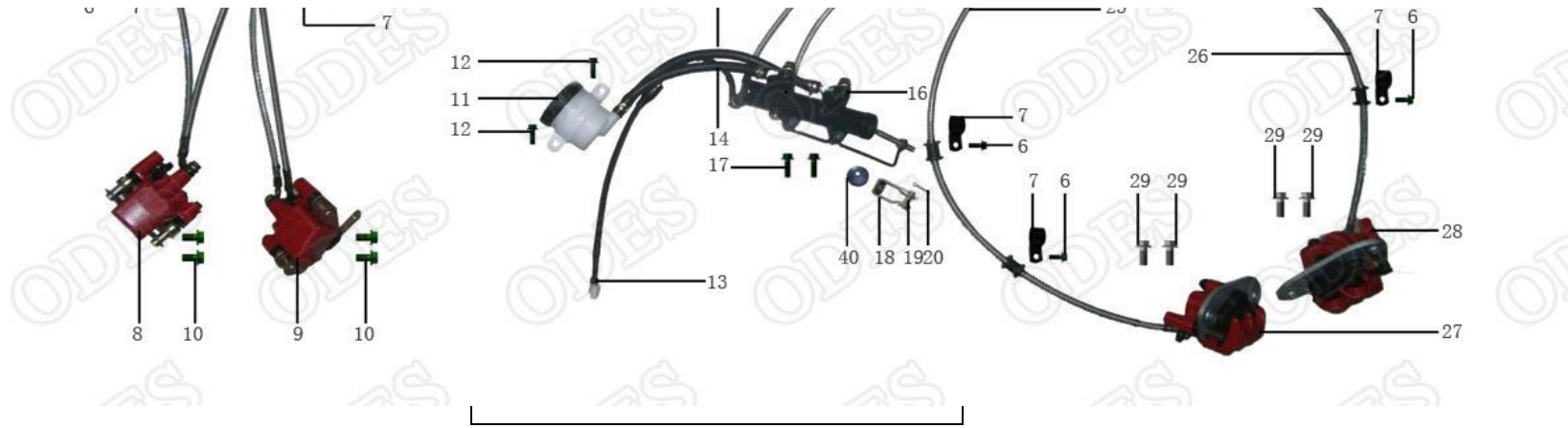
编制：杨志美

7.燃油系统 /Fuel system								
图号 Item No.	ERP 配件编号	中文名称 Chinese name	英文名称 English name	型号 Specification	单车数量 Quantity	单价 Unit price	重量 (Kgs) Single weight	备注 Remark
1	13204060001	汽油过滤器	Fuel filter		1			
2	13204060010	汽油过滤器支架	Fuel filter bracket		2			
3	01224060165	六角法兰螺栓	Hexagon flange bolts	M6x16	2			
4	13604010000	油箱	Fuel tank		1			
5	13604140000	油箱固定套	Fuel tank mounting sleeve		4			
6	13604120000	油箱橡胶皮塞	Fuel tank rubber plug		4			
7	01224060255	六角法兰螺栓	Hexagon flange bolts	M6x25	4			
8	10904080001	汽油泵	Fuel pump		1			
9	01224050125	六角法兰螺栓	Hexagon flange bolts	M5x12	6			
10	13604020000	油箱盖	Fuel tank cap		1			
11	10404040500	油管	Fuel hose	Φ7.5xΦ14.5 L=150mm	1			
12	10904040070	油管护簧	Fuel hose protective spring	L=150mm	1			
13	10404040500	油管	Fuel hose	Φ7.5xΦ14.5 L=250mm	1			
14	13204040540	油管护簧	Fuel hose protective spring	L=300mm	1			
15	10404040500	油管	Fuel hose	Φ7.5xΦ14.5 L=500mm	1			
16	10904040080	油管护簧	Fuel hose protective spring	L=650mm	1			
17	10404040500	油管	Fuel hose	Φ7.5xΦ14.5 L=520mm	1			
16	10904040080	油管护簧	Fuel hose protective spring	L=650mm	1			
18	11912010030	单耳无极卡箍	Jubilee clip	14.5mm	8			
19	10414130010	隔热膜 (薄)	Heat insulation film		1			



ATV800 爆炸图

编制：杨志美



ATV800 爆炸图

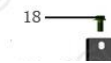
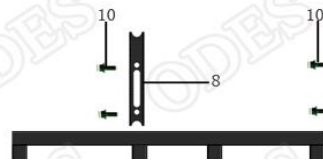
编制：杨志美

8.制动系统								
图号 Item No.	ERP 配件编号	中文名称 Chinese name	英文名称 English name	型号 Specification	单车数量 Quantity	单价 Unit price	重量 (Kgs) Single weight	备注 Remark
	13606010540	碟刹制动器总成	Brake system		1			17th,oct 2016 2016
1	13606010360	手刹制动总泵	Hand brake pump		1			17th,oct 2016 2016
2	13606010370	手刹总泵软管总成	Hand brake hose	L=950	1			17th,oct 2016 2016
3	13606010450	前三通	Front tee joint		2			17th,oct 2016 2016
4	01214060555	六角法兰螺栓	Hexagon flange bolts	M6x55	1			
5	13606010230	前分泵软管总成	Front branch brake hose	L=570	4			17th,oct 2016 2016
6	01224060125	六角法兰螺栓	Hexagon flange bolts	M6x12	9			
7	10406010090	刹车油管卡	Brake hose clip		9			
8	13606010040	前刹分泵总成 (左)	Front brake cllipers, driver side		1			
9	13606010050	前刹分泵总成 (右)	Front brake cllipers, passenger side		1			
10	01214080165	六角法兰螺栓	Hexagon flange bolts	M8x16	4			
11	13606010440	制动油杯	Brake fuel cup		1			17th,oct 2016 2016
12	01224060205	六角法兰螺栓	Hexagon flange bolts	M6x20	2			
13	13606010430	刹车灯开关	Brake light switch	L=400mm	1			17th,oct 2016 2016
14	13606010410	脚刹总泵总成 前端输油管	Foot brake pump. front fuel hose	L=180mm	1			17th,oct 2016 2016
15	13606010420	脚刹总泵总成 后端输油管	Foot brake pump. rear fuel hose	L=250mm	1			17th,oct 2016 2016
16	13606010400	脚刹总泵总成	Foot brake pump		1			17th,oct 2016 2016
17	01214080255	六角法兰螺栓	Hexagon flange bolts	M8x25	2			
18	13606010470	顶针 U型件	Brake stitch ,U type		1			17th,oct 2016 2016
19	13606010480	顶针 销轴	Brake stitch ,pin shaft	Φ7x18	1			17th,oct 2016 2016
20	5011200182	开口销	Cotter	Φ2x18	1			17th,oct 2016 2016
21	13606010380	脚刹前总泵软管总成	Foot brake front brake hose	L=1300	1			17th,oct 2016 2016

ATV800 爆炸图

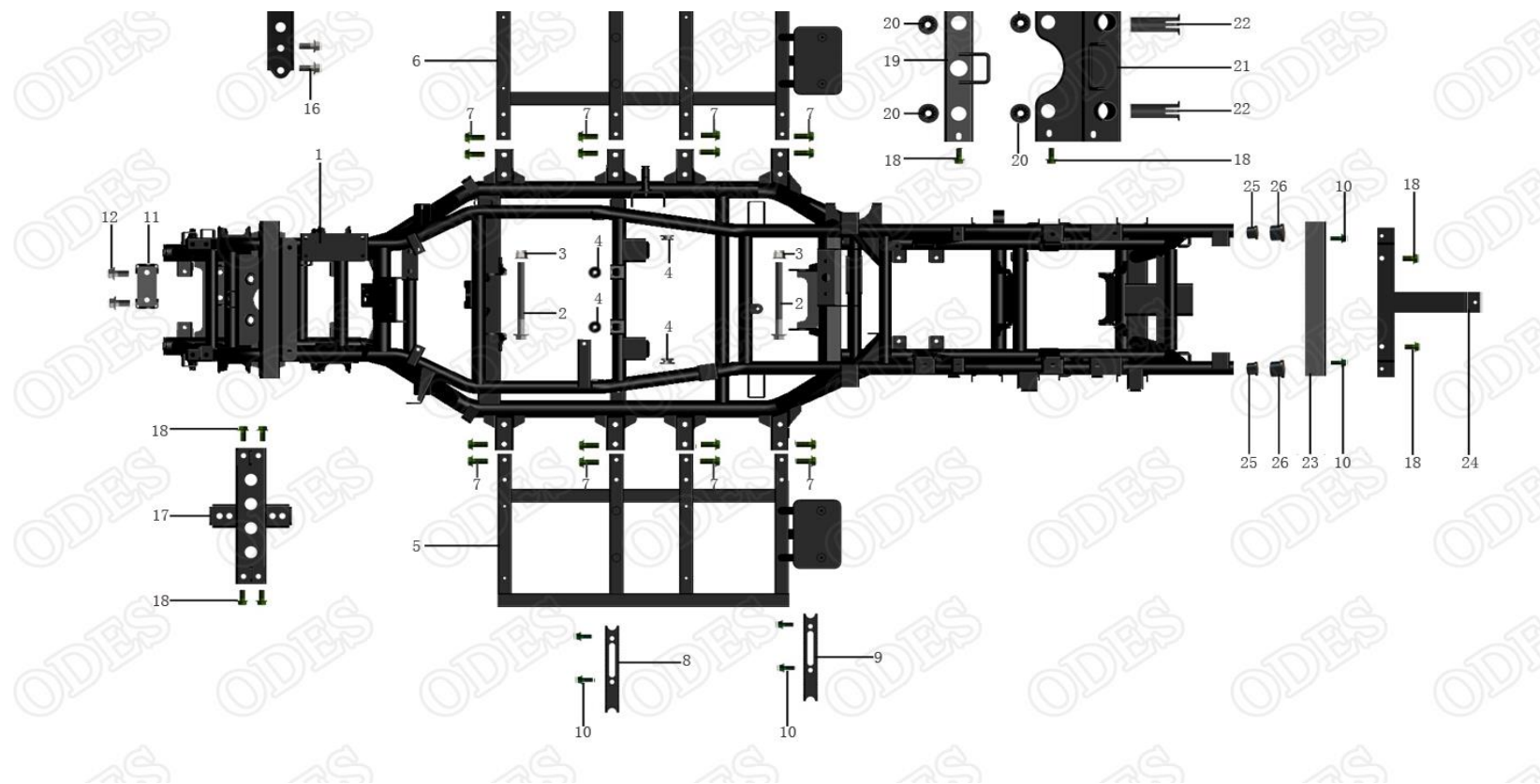
编制：杨志美

22	13606010390	脚刹后总泵软管总成	Foot brake rear brake hose	L=400	1			17th,oct 2016 2016
23	13606010460	后三通	Rear tee joint		1			17th,oct 2016 2016
24	01224060305	六角法兰螺栓	Hexagon flange bolts	M6x30	2			
25	13606010260	后左分泵软管总成	Rear branch brake hose,driver side	L=700	1			17th,oct 2016 2016
26	13606010250	后右分泵软管总成	Rear branch brake hose, passenger side	L=700	1			17th,oct 2016 2016
27	13606010140	后刹分泵总成 (左)	Rear brake clippers,driver side		1			17th,oct 2016 2016
28	13606010150	后刹分泵总成 (右)	Rear brake clippers, passenger side		1			17th,oct 2016 2016
29	01256100256	六角法兰螺栓	Hexagon flange bolts	M10x25	4			
30	10414130010	隔热膜 (薄)	Heat insulation film(thin)		1			
31	13606030000	脚刹踏板	Brake pedal		1			
32	06219152805	平垫	Flat washer	∅ 15x ∅ 28x2	1			
33	07031120004	轴用弹性挡圈	Sanp ring	∅ 12	1			
34	13606030020	脚刹拉簧	Foot brake spring		1			17th,oct 2016 2016
35	13611060000	变档手柄	Gear shifter		1			
36	04612060025	六角法兰防松螺母	Hexagon flange locking nut	M6	1			
37	04612080025	六角法兰防松螺母	Hexagon flange locking nut	M8	1			
38	13611050000	变档球	Gear shift ball		1			
39	13611050020	变档拉簧	Gear shifting spring		1			
40	10906010530	刹车顶针防尘碗	Brake stitch dust proof cup		1			17th,oct 2016 2016



ATV800 爆炸图

编制：杨志美



ATV800 爆炸图

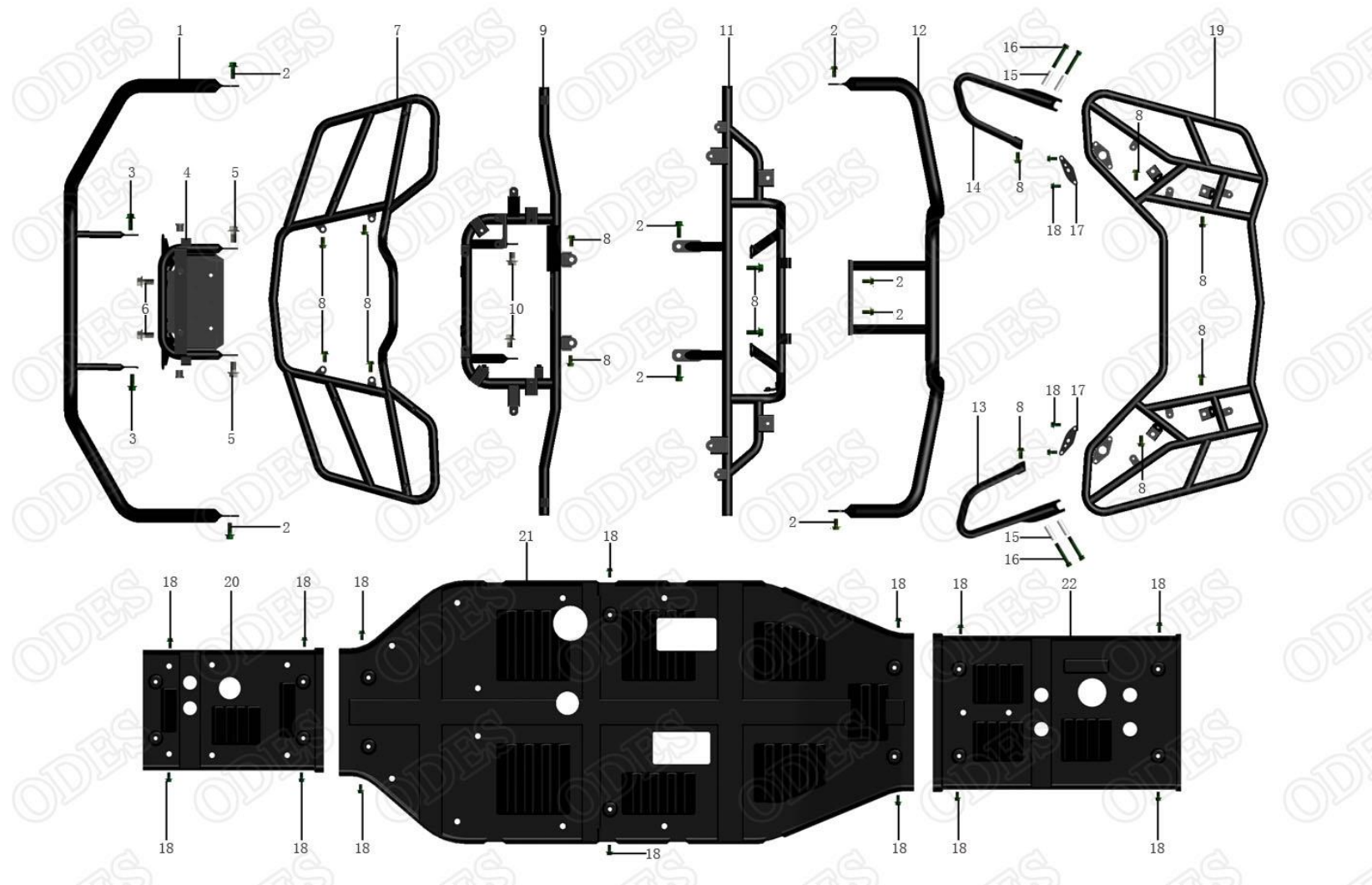
编制：杨志美

图号 Item No.	ERP 配件编号	中文名称 Chinese name	英文名称 English name	型号 Specification	单车数量 Quantity	单价 Unit price	重量 (Kgs) Single weight	备注 Remark
1	13608010000	车架	Frame		1			
2	01256101306	六角法兰螺栓	Hexagon flange bolts	M10x130	2			
3	04622100026	六角法兰防松螺母	Hexagon flange locking nut	M10x1.25	2			
4	13610202260	圆形橡胶垫	Round rubber washer		4			
5	13608160000	脚踏板支架 (左)	Foot pedal bracket, driver side		1			
6	13608170000	脚踏板支架 (右)	Foot pedal bracket, passenger side		1			
7	01214080205	六角法兰螺栓	Hexagon flange bolts	M8x20	16			
8	13608520020	齿形脚踏板 (前)	Tooth shape foot pedal, front		2			
9	13608520030	齿形脚踏板 (后)	Tooth shape foot pedal, rear		2			
10	01224060165	六角法兰螺栓	Hexagon flange bolts	M6x16	8			
11	13608810000	前桥前固定板	Front differential mounting board		1		0.1kg	
12	01256100206	六角法兰螺栓	Hexagon flange bolts	M10x20x1.25	2			
13	13608040000	发动机上吊挂	Engine upper hang		1		0.25kg	
14	10402070000	发动机减震垫	Engine cushion		2		0.025kg	
15	01256100706	六角法兰螺栓	Hexagon flange bolts	M10x70x1.25	1			
3	04622100026	六角法兰防松螺母	Hexagon flange locking nut	M10x1.25	1			
16	01225100206	六角法兰螺栓	Hexagon flange bolts	M10x20x1.5	2			REVISION OF 17th, oct 2016 2016
17	13608820000	电瓶支撑	Battery support		1		0.55kg	
18	01214080205	六角法兰螺栓	Hexagon flange bolts	M8x20	4			
19	13608830000	前座椅后定位支撑	Rear position support for front seat		1		0.25kg	
20	13614020010	座垫橡胶垫	Seat rubber spacer		4			

ATV800 爆炸图

编制：杨志美

18	01214080205	六角法兰螺栓	Hexagon flange bolts	M8x20	2			
21	13608840000	后座椅支撑板	Support board for rear seat		1		1.85kg	
22	13608840010	后座椅管件导向套	Guide sleeve of seat tube		2			
18	01214080205	六角法兰螺栓	Hexagon flange bolts	M8x20	2			
23	13608850000	后储物箱支撑板	Support board for rear storage box		1		0.25kg	
10	01224060165	六角法兰螺栓	Hexagon flange bolts	M6x16	2			
24	13609140010	后牌照灯支架	Rear license plate lamp bracket		1		0.45kg	
18	01214080205	六角法兰螺栓	Hexagon flange bolts	M8x20	2			
25	13608010040	车架堵头（上）	Frame rubber plug, upper side		2			17th,oct 2016 2016
26	13608010050	车架堵头（下）	Frame rubber plug, lower side		2			17th,oct 2016 2016



ATV800 爆炸图

编制：杨志美

10.车架附件								
图号 Item No.	ERP 配件编号	中文名称 Chinese name	英文名称 English name	型号 Specification	单车数量 Quantity	单价 Unit price	重量 (Kgs) Single weight	备注 Remark
1	13608110000	前保险杠	Front bumper		1		2.45kg	
2	01214080205	六角法兰螺栓	Hexagon flange bolts	M8x20	2			
3	01214080145	六角法兰螺栓	Hexagon flange bolts	M8x14	2			
4	13608860000	牵引机支架	Winch bracket		1			
5	01256100206	六角法兰螺栓	Hexagon flange bolts	M10x20x1.25	2			
6	01566100206	小头六角法兰螺栓	Small head hexagon flange bolt	M10x20	2			
7	13608120000	前货架	Front storage rack		1		4.3kg	
8	01214080165	六角法兰螺栓	Hexagon flange bolts	M8x16	4			
9	13608110020	前保险杠内衬	Neck bush for front bumper		1		3.55kg	
8	01214080165	六角法兰螺栓	Hexagon flange bolts	M8x16	2			
10	01256100166	六角法兰螺栓	Hexagon flange bolts	M10x16x1.25	2			
11	13608350020	后保险杠内衬	Neck bush for rear bumper		1		3.5kg	
2	01214080205	六角法兰螺栓	Hexagon flange bolts	M8x20	2			
8	01214080165	六角法兰螺栓	Hexagon flange bolts	M8x16	2			
12	13608350000	后保险杠	Rear bumper		1		2.9kg	
2	01214080205	六角法兰螺栓	Hexagon flange bolts	M8x20	4			
13	13608070020	后扶手 (左)	Rear handrail, driver side		1			
14	13608080020	后扶手 (右)	Rear handrail, passenger side		1			
15	13608080040	后扶手固定套	Rear handrail mounting sleeve		4			
16	03344080355	内六角圆柱头螺栓	Hexagon socket round head bolt	M8x35	4			
8	01214080165	六角法兰螺栓	Hexagon flange bolts	M8x16	2			
17	13608080030	后扶手下部固定板	lower mounting board for rear handrail		2			
18	01224060165	六角法兰螺栓	Hexagon flange bolts	M6x16	4			

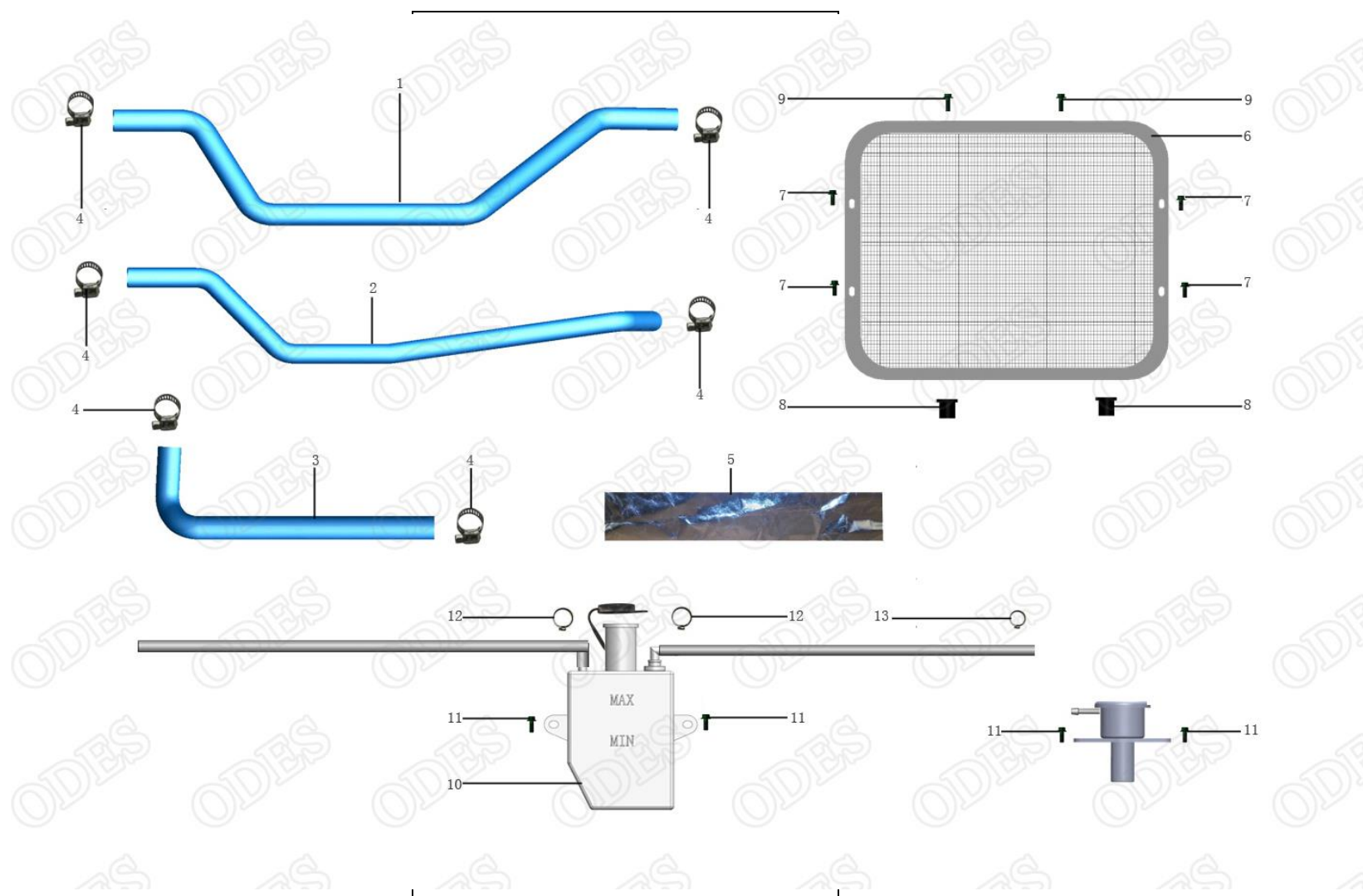
ATV800 爆炸图

编制：杨志美

19	13608130000	后货架	Rear storage rack		1		5.65kg	
8	01214080165	六角法兰螺栓	Hexagon flange bolts	M8x16	4			
20	13608010060	车架底护板 前部	Skid plate, front		1		0.25kg	
18	01224060165	六角法兰螺栓	Hexagon flange bolts	M6x16	4			
21	13608010080	车架底护板 中部	Skid plate, middle		1		1.3kg	
18	01224060165	六角法兰螺栓	Hexagon flange bolts	M6x16	6			
22	13608010070	车架底护板 后部	Skid plate, rear		1		0.4kg	
18	01224060165	六角法兰螺栓	Hexagon flange bolts	M6x16	4			

ATV800 爆炸图

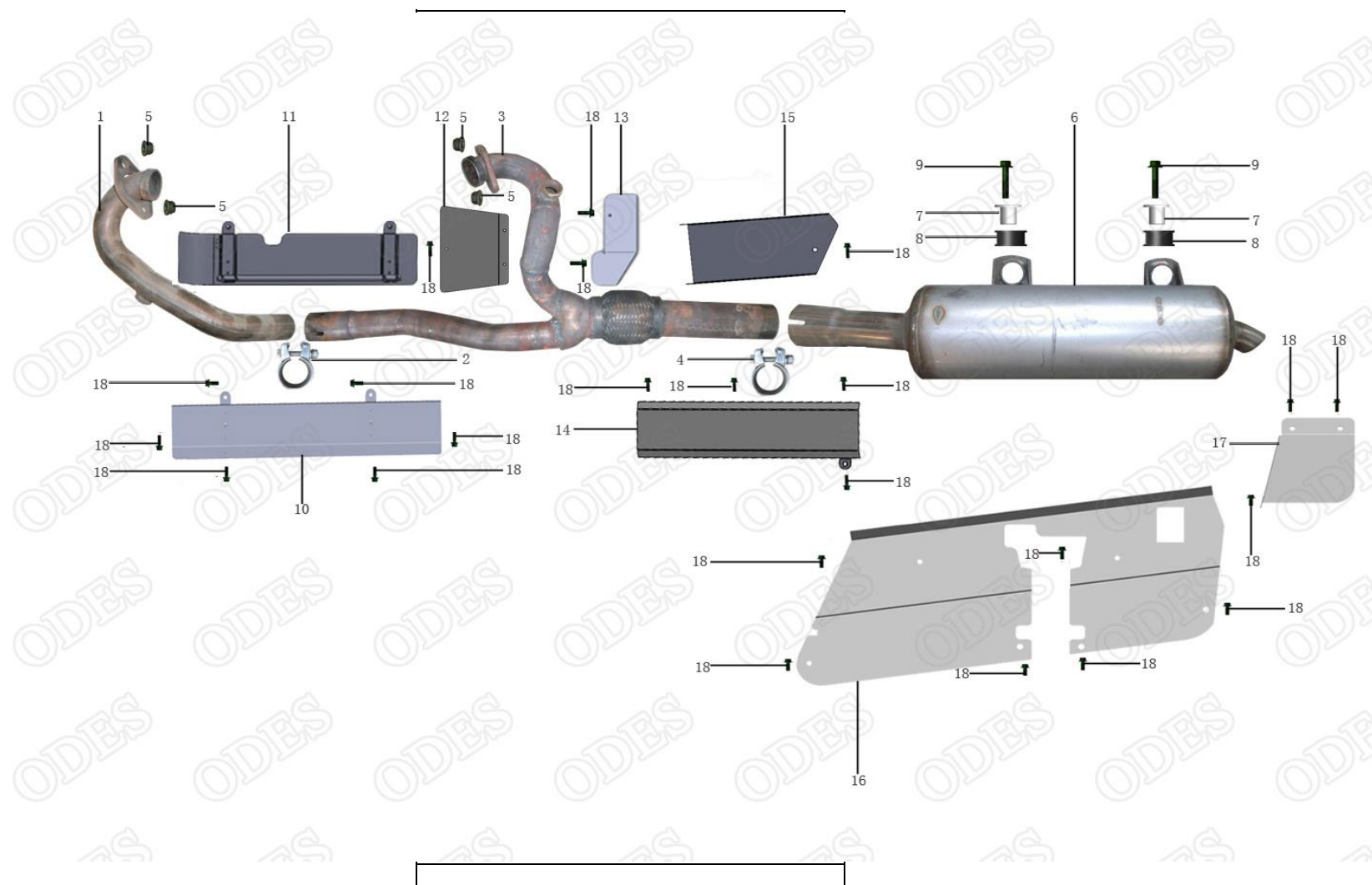
编制：杨志美



ATV800 爆炸图

编制：杨志美

11.冷却系统								
图号 Item No.	ERP 配件编号	中文名称 Chinese name	英文名称 English name	型号 Specification	单车数量 Quantity	单价 Unit price	重量 (Kgs) Single weight	备注 Remark
1	13612050010	出水管	Water outlet tube		1		0.4kg	
2	13612050020	进水管	Water inlet tube		1		0.4kg	
3	13612050050	加水口水管	Filling water tube		1		0.2kg	
4	10912070000	卡箍	Clip	φ20-φ32	6			
5	10414130010	隔热膜 (薄)	Heat insulation film(thin)		1			
6	13612020030	水箱保护密网	Radiator		1		0.6kg	
7	01224060125	六角法兰螺栓	Hexagon flange bolts	M6x12	4			
8	13612030030	水箱下固定橡胶套	Lower mounting rubber sleeve for radiator		2			
9	01224060255	六角法兰螺栓	Hexagon flange bolts	M6x25	2			
10	13612040000	副水壶	Deputy kettle		1			
11	01224060165	六角法兰螺栓	Hexagon flange bolts	M6x16	2			
12	11904070040	喉箍	Hose Clamp	φ10	2			17th,oct 2016 2016
13	11904070030	喉箍	Hose Clamp	φ8	1			17th,oct 2016 2016
11	01224060165	六角法兰螺栓	Hexagon flange bolts	M6x16	2			



ATV800 爆炸图

编制：杨志美

12.排气系统								
图号 Item No.	ERP 配件编号	中文名称 Chinese name	英文名称 English name	型号 Specification	单车数量 Quantity	单价 Unit price	重量 (Kgs) Single weight	备注 Remark
1	13607010060	一缸排气管	Front exhaust pipe		1		0.75kg	
2	10907010080	消音器中部卡箍	Muffler middle clip	φ46.5	1			
3	13607010070	二缸排气管	Rear exhaust pipe		1		1.85kg	
4	10907010090	消音器后部卡箍	Muffler rear clip	φ56.5	1			
5	04512080025	六角法兰自锁螺母	Hexagon flange locking nut	M8	4			
6	13607010020	消音器	Muffler		1		2.25kg	
7	13607010190	消音器吊挂内衬套	Muffler hang neck bushing		2			
8	13607010140	消音器吊挂橡胶套	Muffler hang rubber sleeve		2			
9	01214080355	六角法兰螺栓	Hexagon flange bolts	M8x35	2			
10	13607010610	一缸排气管隔热板(外)	Front cylinder exhaust pipe insulation board (outer)		1			17th,oct 2016 2016
11	13607010620	一缸排气管隔热板(内)(带隔热)	Front cylinder exhaust pipe insulation board (inner)		1			17th,oct 2016 2016
18	01224060165	六角法兰螺栓	Hexagon flange bolts	M6x16	6			
12	13607010630	二缸排气管隔热板(前)(带隔热)	Rear cylinder exhaust pipe insulation board(front) with insulation film		1			17th,oct 2016 2016
13	13607010640	二缸排气管隔热板(后)(带隔热)	Rear cylinder exhaust pipe insulation board(rear) with insulation film		1			17th,oct 2016 2016
18	01224060165	六角法兰螺栓	Hexagon flange bolts	M6x16	3		0.9kg	
14	13607010650	中部排气管隔热板(外)(带隔热)	Middle exhaust pipe(outer) with insulation film		1			17th,oct 2016 2016
15	13607010660	中部排气管隔热板(内)(带隔热)	Middle exhaust pipe(inner) with insulation film		1			17th,oct 2016 2016
18	01224060165	六角法兰螺栓	Hexagon flange bolts	M6x16	5			
16	13607010670	消音器侧隔热板(带隔热膜)	Muffler side insulation board(with insulation film)		1			17th,oct 2016 2016
18	01224060165	六角法兰螺栓	Hexagon flange bolts		6			
17	13607010680	消音器后隔热板(带隔热膜)	Muffler rear insulation board(with insulation film)		1			17th,oct 2016 2016
18	01224060165	六角法兰螺栓	Hexagon flange bolts	M6x16	3			



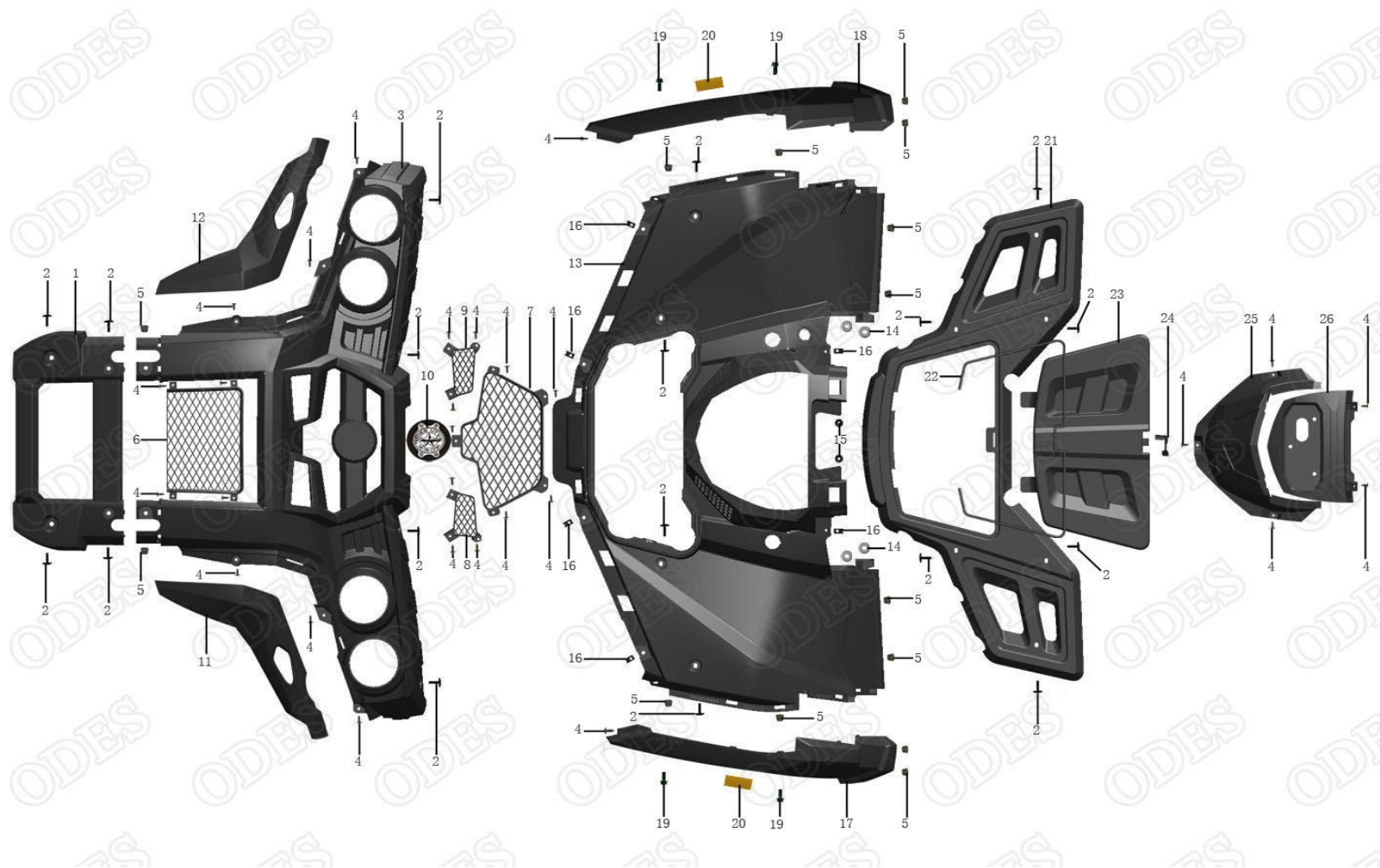
ATV800 爆炸图

编制：杨志美

13.CVT进排气系统								
图号 Item No.	ERP 配件编号	中文名称 Chinese name	英文名称 English name	型号 Specification	单车数量 Quantity	单价 Unit price	重量 (Kgs) Single weight	备注 Remark
1	13607030000	CVT进气管	CVT air intake pipe		1			
2	10907030010	CVT进气管皮套	CVT air intake pipe rubber sleeve	φ68	1			
3	10907030020	卡箍	Clip	φ64-φ76	2			
4	13607040000	CVT排气管	CVT exhaust pipe		1			
5	13607040010	CVT排气管皮套	CVT exhaust pipe sleeve	φ64	1			
3	10907030020	卡箍	Clip	φ64-φ76	2			
6	01224060165	六角法兰螺栓	Hexagon flange bolts	M6x16	6			
7	04612060025	六角法兰防松螺母	Hexagon flange locking nut	M6	1			
8	10414130010	隔热膜 (薄)	Heat insulation film(thin)		1			

ATV800 爆炸图

编制：杨志美



ATV800 爆炸图

编制：杨志美

14. 塑料件前部								
图号 Item No.	ERP 配件编号	中文名称 Chinese name	英文名称 English name	型号 Specification	单车数量 Quantity	单价 Unit price	重量 (Kgs) Single weight	备注 Remark
1	13610720001	牵引机护罩	Winch cover		1		0.2kg	17th,oct 2016 2016
2	03114060165	十字盘头螺钉	Cross ball-shape head bolt	M6x16	4			
3	13610160000	前面板 (毛坯)	Front panle(rough)		1		0.9kg	
2	03114060165	十字盘头螺钉	Cross ball-shape head bolt	M6x16	4			
4	03714420125	自攻钉	Tapping screws	ST4.2X12	6			
5	04612060025	六角法兰防松螺母	Hexagon flange locking nut	M6	2			
6	13610030020	风窗 (下)	Wind window, lower		1		0.15kg	
4	03714420125	自攻钉	Tapping screws	ST4.2X12	4			
7	13610030010	风窗 (上)	Wind window, upper		1		0.1kg	
4	03714420125	自攻钉	Tapping screws	ST4.2X12	5			
8	13610030030	风窗 (左)	Wind window, driver side		1			
4	03714420125	自攻钉	Tapping screws	ST4.2X12	3			
9	13610030040	风窗 (右)	Wind window, passenger side		1			
4	03714420125	自攻钉	Tapping screws	ST4.2X12	3			
10	13613060010	水晶标贴 (ODES)	Random sticker(ODES)		1			
11	13610160060	前面板转向灯连接件 (左)	Turing light adapting piece, driver side		1		0.1kg	
12	13610160070	前面板转向灯连接件 (右)	Turing light adapting piece, passenger side		1		0.1kg	
13	13610201480	前塑料件 (红色)	Front plastic cover(red)		1		2.2kg	根据客户要求
	13610201530	前塑料件 (黑色)	Front cover(black)		1			
	13610202310	前塑料件 (维斯塔枫叶)	Front cover(camo brown)		1			
	13610202320	前塑料件 (黑色碳纤维)	Front cover(black carbon fiber)		1			
	13610202330	前塑料件 (白色碳纤维)	Front cover(White carbon fiber)		1			

ATV800 爆炸图

编制：杨志美

	13610202460	前塑料件（红色碳纤维）	Front cover(Red carbon fiber)		1			
14	13610080070	直槽口形橡胶垫	Rubber washer		4			
15	13610202260	圆形橡胶垫	Round rubber washer		2			
2	03114060165	十字盘头螺钉	Cross ball-shape head bolt	M6x16	4			
16	04922060025	夹板螺母	Plate nut	M6	6			
5	04612060025	六角法兰防松螺母	Hexagon flange locking nut	M6	8			
17	13610670000	前轮眉（左）	Front trim, driver side		1		0.25kg	
19	01224060165	六角法兰螺栓	Hexagon flange bolts	M6x16	2			
4	03714420125	自攻钉	Tapping screws	ST4.2X12	1			
5	04612060025	六角法兰防松螺母	Hexagon flange locking nut	M6	2			
18	13610680000	前轮眉（右）	Front trim, passenger side		1		0.25kg	
19	01224060165	六角法兰螺栓	Hexagon flange bolts	M6x16	2			
4	03714420125	自攻钉	Tapping screws	ST4.2X12	1			
5	04612060025	六角法兰防松螺母	Hexagon flange locking nut	M6	2			
20	13614190040	前部反光条（黄色）	Front reflective stirp(yellow)		2			
21	13610730000	前货架盖板	Front storage rack cover		1		0.75kg	
2	03114060165	十字盘头螺钉	Cross ball-shape head bolt	M6x16	6			
22	13610730020	前货架盖板橡胶条	Rubber strip for front storage rack cover		1			17th,oct 2016 2016
23	13610730010	前货架盖板上盖	Front storage rack upper cover		1		0.25kg	
24	13610630071	纳物箱拉皮	Storage box rubber strip		1			17th,oct 2016 2016
25	13609160140	仪表外罩	Instrument outside cover		1		0.25kg	17th,oct 2016 2016
4	03714420125	自攻钉	Tapping screws	ST4.2X12	3			
26	13609160070	仪表罩	Dash cover		1		0.15kg	17th,oct 2016 2016

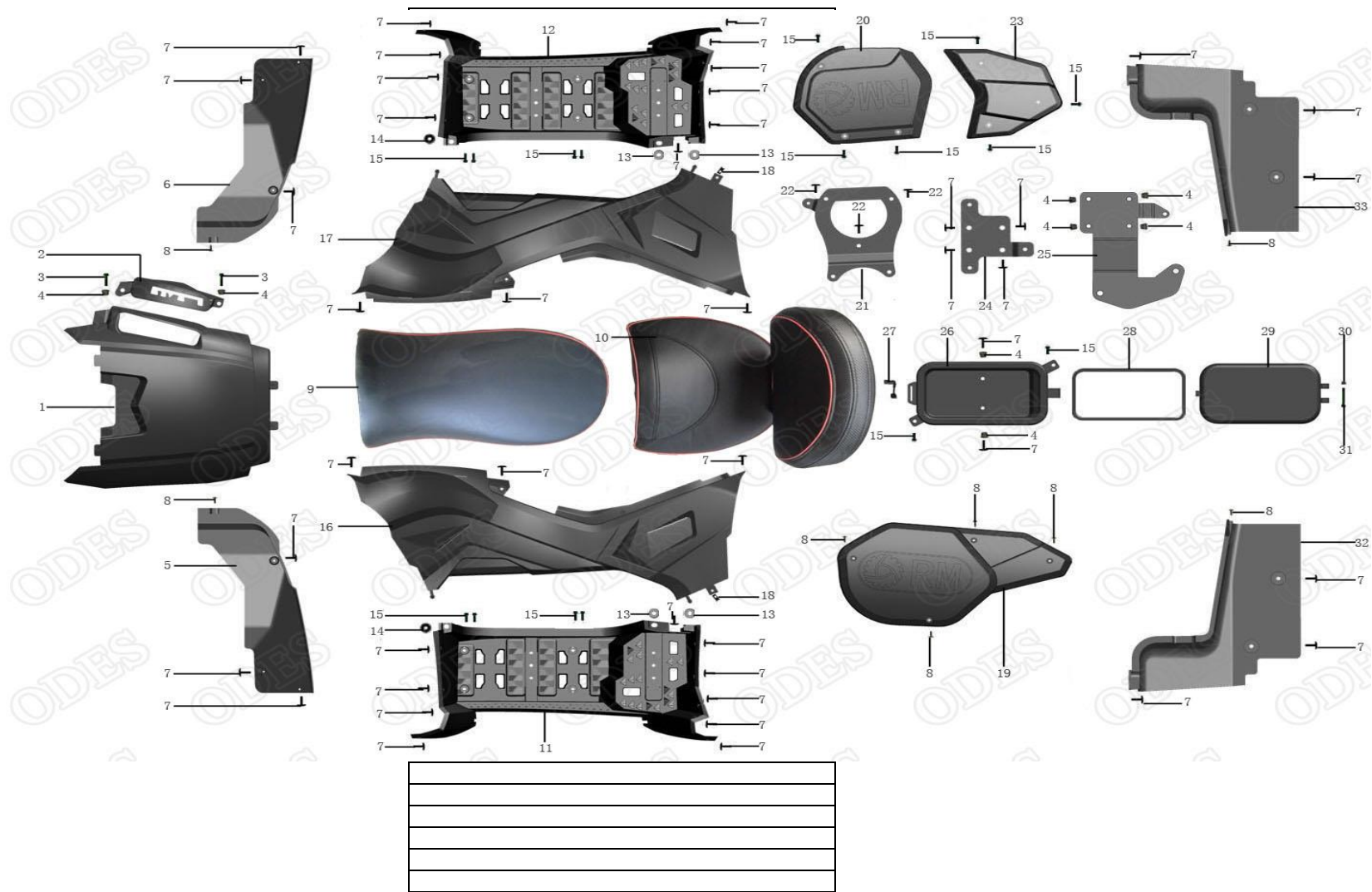
ATV800 爆炸图

编制：杨志美

4	03714420125	自攻钉	Tapping screws	ST4.2X12	2			

ATV800 爆炸图

编制：杨志美



ATV800 爆炸图

编制：杨志美

15.塑料件中部								
图号 Item No.	ERP 配件编号	中文名称 Chinese name	英文名称 English name	型号 Specification	单车数量 Quantity	单价 Unit price	重量 (Kgs) Single weight	备注 Remark
1	13610360010	档位盖板	Gear shift cover		1		0.65kg	根据客户要求 Depend on customers' request
	13610360020	档位盖板 (黑色)	Gear shift cover(black)		1			
	13610360030	档位盖板 (维斯塔枫叶)	Gear shift cover(camo brown)		1			
	13610360040	档位盖板 (黑色碳纤维)	Gear shift cover(black carbon fiber)		1			
	13610360050	档位盖板 (白色碳纤维)	Gear shift cover(white carbon fiber)		1			
	13610360060	档位盖板 (红色碳纤维)	Gear shift cover(red carbon fiber)		1			
2	13610360000	手变档板	Handle shifting plate		1		0.15kg	
3	01224060255	六角法兰螺栓	Hexagon flange bolts	M6x25	2			
4	04612060025	六角法兰防松螺母	Hexagon flange locking nut	M6	2			
5	13610580010	前挡泥板 (左)	Front mud-guard board, driver side		1		0.45kg	
6	13610580020	前挡泥板 (右)	Front mud-guard board, passenger side		1		0.45kg	
7	03114060165	十字盘头螺钉	Cross ball-shape head bolt	M6x16	6			
8	03714420125	自攻钉	Tapping screws	ST4.2X12	2			
9	13614020110	前座垫 (带红边)	Front seat(with red egde)		1		2.45kg	
	10414130010	隔热膜 (薄)	Heat insulation film(thin)		1			
10	13614020121	后座椅 (带红边)	Rear seat(with red egde)		1		5.35kg	
11	13610080011	脚踏板 (左)	Foot pedal, driver side				1.85kg	
12	13610080021	脚踏板 (右)	Foot pedal, passenger side				1.85kg	

ATV800 爆炸图

编制：杨志美

13	13610080070	直槽口形橡胶垫	Rubber washer		4			
14	13610202260	圆形橡胶垫	Round rubber washer		2			
15	01224060165	六角法兰螺栓	Hexagon flange bolts	M6x16	8			
7	03114060165	十字盘头螺钉	Cross ball-shape head bolt	M6x16	20			
16	13610200010	左侧板	Driver side board		1		0.80kg	根据客户要求
	13610202370	左侧板 (黑色)	Driver side board(black)		1			
	13610202380	左侧板 (维斯塔枫叶)	Driver side board(camo brown)		1			
	13610202390	左侧板 (黑色碳纤维)	Driver side board(Black carbon fiber)		1			
	13610202400	左侧板 (白色碳纤维)	Driver side board(white carbon fiber)		1			
	13610202480	左侧板 (红色碳纤维)	Driver side board(red carbon fiber)		1			
	10914130020	隔热膜 (厚)	Heat insulation film(thin)		1			
17	13610200020	右侧板	Passenger side board		1		0.80kg	根据客户要求 Depend on customers' request
	13610202410	右侧板 (黑色)	Passenger side board(black)		1			
	13610202420	右侧板 (维斯塔枫叶)	Passenger side board(camo brown)		1			
	13610202430	右侧板 (黑色碳纤维)	Passenger side board(black carbon board)		1			
	13610202440	右侧板 (白色碳纤维)	Passenger side board(white carbon board)		1			
	13610202490	右侧板 (红色碳纤维)	Passenger side board(red carbon fiber)		1			
	10914130020	隔热膜 (厚)	Heat insulation film(thin)		1			
18	04922060025	夹板螺母	Plate nut	M6	2			

ATV800 爆炸图

编制：杨志美

7	03114060165	十字盘头螺钉	Cross ball-shape head bolt	M6x16	6			
19	13607030110	CVT护罩（左）ODES	CVT cover(driver side) ODES		1			
8	03714420125	自攻钉	Tapping screws	ST4.2X12	4			
20	13607030120	CVT护罩（右前）ODES	CVT cover (front right) ODES		1			
15	01224060165	六角法兰螺栓	Hexagon flange bolts	M6x16	3			
21	13607030140	CVT护罩支架（右前）	CVT cover bracket (front right)		1			
22	03114060125	十字盘头螺钉	Cross ball-shape head bolt	M6x12	3			
23	13607030130	CVT护罩（右后）	CVT cover(rear right)		1			
15	01224060165	六角法兰螺栓	Hexagon flange bolts	M6x16	3			
24	13607030151	CVT护罩支架1（右后）小	CVT cover bracket 1(rear right) small		1			Modified in 17th,oct 2016 2016
25	13607030160	CVT护罩支架2（右后）大	CVT cover bracket 2(rear right) big		1			Modified in 17th,oct 2016 2016
7	03114060165	十字盘头螺钉	Cross ball-shape head bolt	M6x16	4			
4	04612060025	六角法兰防松螺母	Hexagon flange locking nut	M6	4			
26	13610630010	纳物箱	Storage box		1		0.30kg	
	10414130010	隔热膜（薄）	Heat insulation film(thin)		1			
7	03114060165	十字盘头螺钉	Cross ball-shape head bolt	M6x16	2			
4	04612060025	六角法兰防松螺母	Hexagon flange locking nut	M6	2			
15	01224060165	六角法兰螺栓	Hexagon flange bolts	M6x16	2			
27	13610630070	纳物箱拉皮	Storage box rubber strip		1			

ATV800 爆炸图

编制：杨志美

28	13610630030	纳物箱密封圈	storage box sealing ring		1			
29	13610630020	纳物箱盖	Storage box cap		1		0.10kg	
30	04212040025	六角法兰防松螺母	Hexagon flange locking nut	M4	1			
31	03144040555	十字圆柱头螺钉	Cross round head bolt	M4x55	1			
32	13610620010	后挡泥板（左）	Rear mud-guard boards, driver side		1		0.30kg	
33	13610620020	后挡泥板（右）	Rear mud-guard boards, passenger side		1		0.30kg	
7	03114060165	十字盘头螺钉	Cross ball-shape head bolt	M6x16	6			
8	03714420125	自攻钉	Tapping screws	ST4.2X12	2			



ATV800 爆炸图

编制：杨志美

16.塑料件后部								
图号 Item No.	ERP 配件编号	中文名称 Chinese name	英文名称 English name	型号 Specification	单车数量 Quantity	单价 Unit price	重量 (Kgs) Single weight	备注 Remark
1	13610200850	后塑料件 (红色)	Rear plastic cover (red)		1		3.3kg	根据客户要求 Depend on customers' request
	13610200900	后塑料件 (黑色)	Rear plastic cover(black)		1			
	13610202340	后塑料件 (维斯塔枫叶)	Rear plastic cover(camo brown)		1			
	13610202350	后塑料件 (黑色碳纤维)	Rear plastic cover(black carbon fiber)		1			
	13610202360	后塑料件 (白色碳纤维)	Rear plastic cover(white carbon fiber)		1			
	13610202470	后塑料件 (红色碳纤维)	Rear plastic cover(red carbon fiber)		1			
	10914130020	隔热膜 (厚)	Heat insulation film(thin)		1			
2	03114060165	十字盘头螺钉	Cross ball-shape head bolt	M6x16	4			
3	04922060025	夹板螺母	Plate nut	M6	7			
4	04612060025	六角法兰防松螺母	Hexagon flange locking nut	M6	8			
5	13610100000	后轮眉 (左)	Rear trim, driver side		1		0.25kg	
2	03114060165	十字盘头螺钉	Cross ball-shape head bolt	M6x16	1			
7	01224060165	六角法兰螺栓	Hexagon flange bolts	M6x16	1			
4	04612060025	六角法兰防松螺母	Hexagon flange locking nut	M6	2			
6	13610110000	后轮眉 (右)	Rear trim, passenger side		1		0.25kg	
2	03114060165	十字盘头螺钉	Cross ball-shape head bolt	M6x16	1			
7	01224060165	六角法兰螺栓	Hexagon flange bolts	M6x16	1			
4	04612060025	六角法兰防松螺母	Hexagon flange locking nut	M6	2			
8	13614190030	后部反光条 (红色)	Rear reflecting strip(red)		2			
9	13610410060	后货架盖板上盖密封条	Rear storage rack cover sealing strip		1			
10	13610410000	后货架盖板	Rear storage rack cover		1		0.65kg	

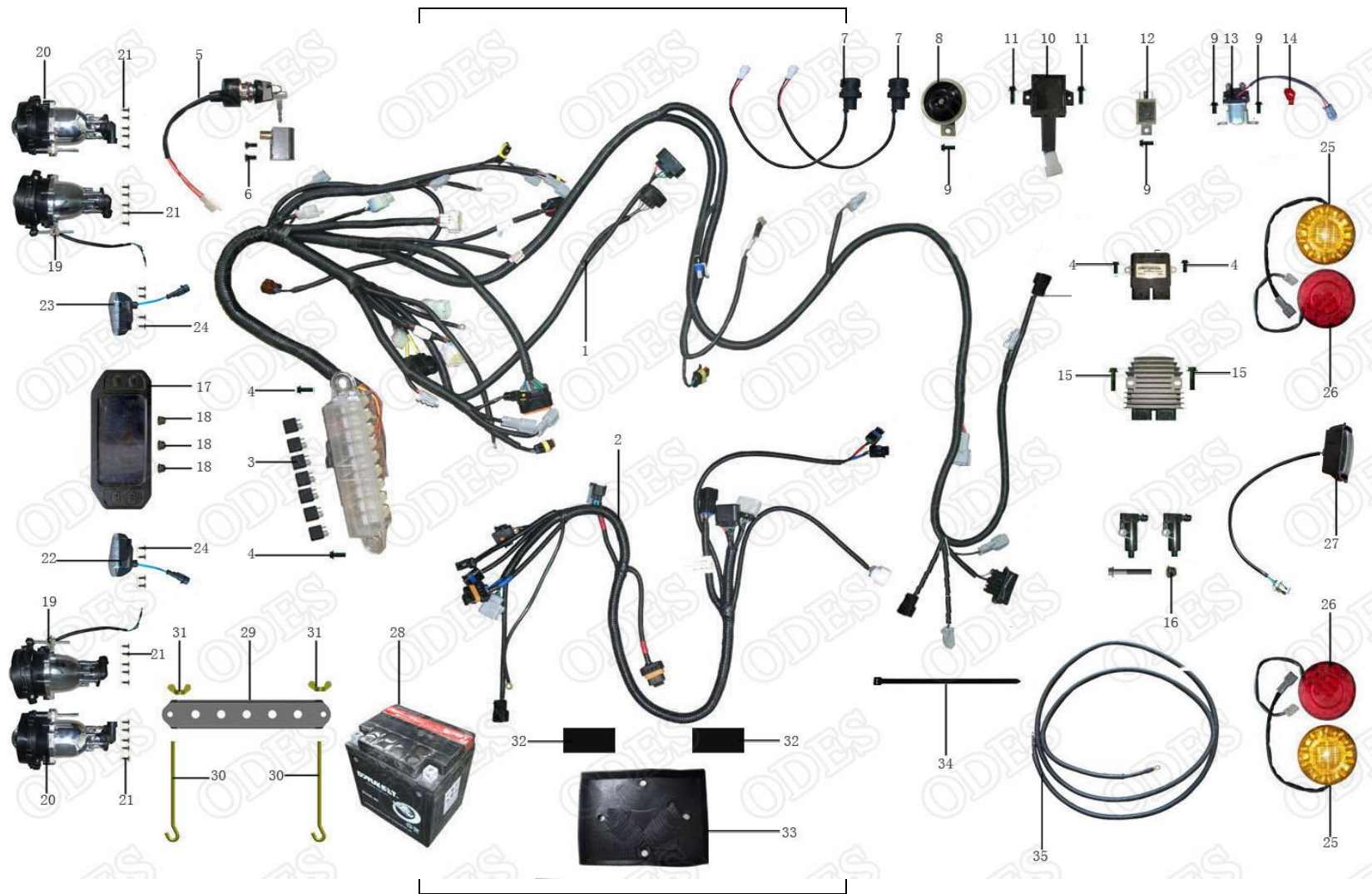
ATV800 爆炸图

编制：杨志美

2	03114060165	十字盘头螺钉	Cross ball-shape head bolt	M6x16	6			
11	13610410050	后货架盖板上盖	The upper cover for rear storage rack cover		1		0.30kg	
12	13610630070	纳物箱拉皮	Storage box rubber strip		1			
13	13609070090	后尾灯灯罩 (左)	Taillight cover, driver side		1		0.05kg	
14	13609070100	后尾灯灯罩 (右)	Taillight cover, passenger side		1		0.05kg	
15	03714420125	自攻钉	Tapping screws	ST4.2X12	8			
16	13610170000	后面板	Rear panle		1		1.05kg	
2	03114060165	十字盘头螺钉	Cross ball-shape head bolt	M6x16	5			
4	04612060025	六角法兰防松螺母	Hexagon flange locking nut	M6	2			
17	10409180010	反光牌 (长方形红色)	Reflecting board(rectangle, red color)		2			
18	13613060010	水晶标贴 (ODES)	Random sticker ODES		1			

ATV800 爆炸图

编制：杨志美



ATV800 爆炸图

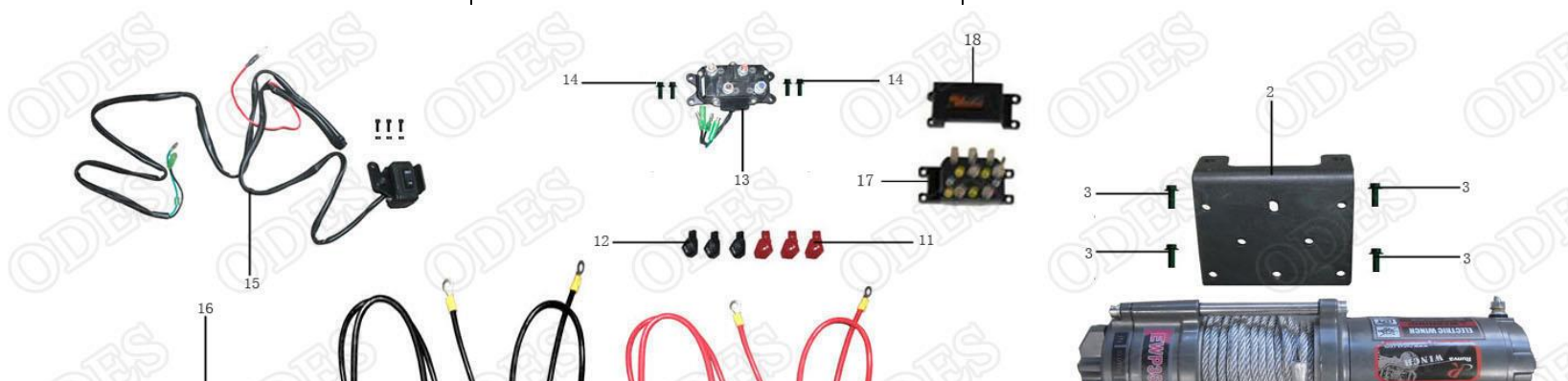
编制：杨志美

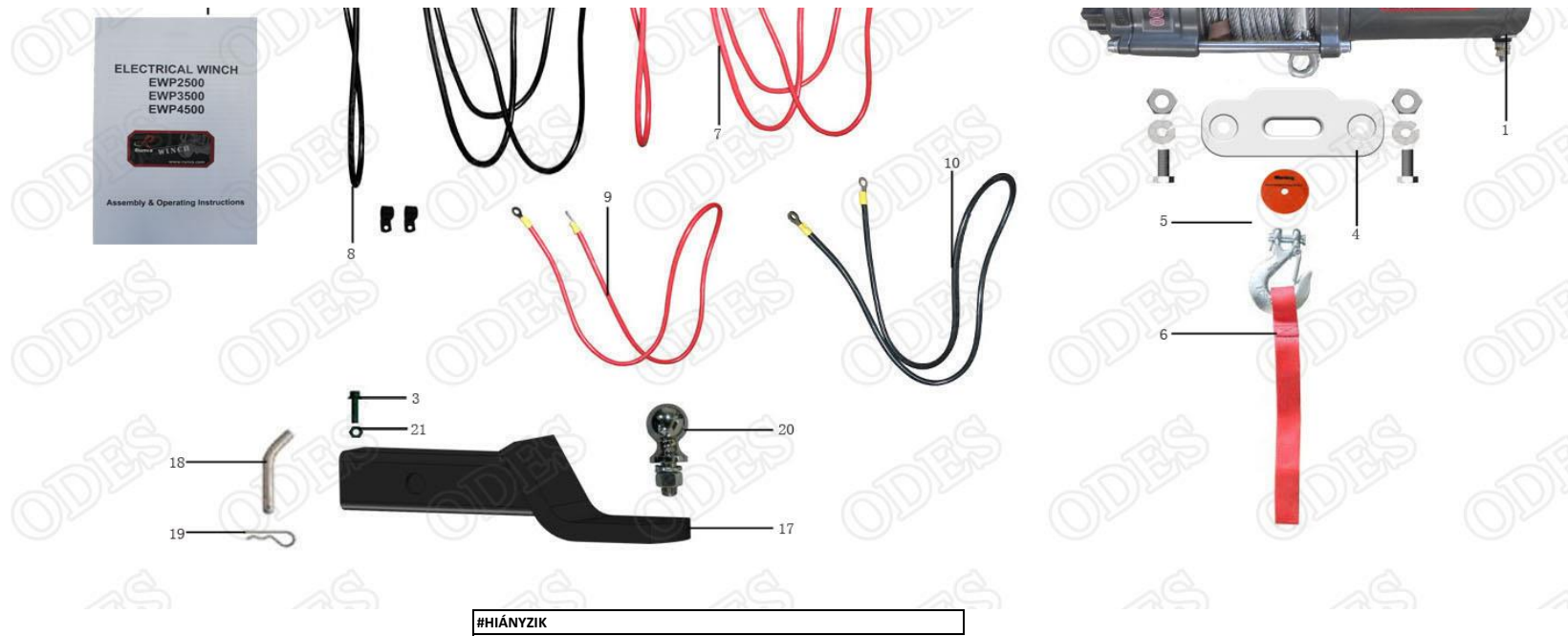
17.电气系统								
图号 Item No.	ERP 配件编号	中文名称 Chinese name	英文名称 English name	型号 Specification	单车数量 Quantity	单价 Unit price	重量 (Kgs) Single weight	
1	13609020010	全车线	Wire harness		1			Modified in 17th,oct 2016 2016
2	13609410000	发动机线束	Engier wire harness		1			Modified in 17th,oct 2016 2016
3	10109330000	四转继电器 (五爪)	2WD/4WD relay, five jaws		7			
4	01224060165	六角法兰螺栓	Hexagon flange bolts	M6x16	2			
5	13609040000	电锁总成 (包括方向锁)	Ignition switch (include the steering wheel switch)		1			
6	03124060125	十字槽沉头螺钉	Philips countersunk head screw	M6x12	2			
7	13609300000	备用电源	Power socket		2			
8	10409100000	喇叭 (EEC)	Horn (EEC)		1			
9	01224060125	六角法兰螺栓	Hexagon flange bolts	M6x12	1			
10	10909360001	倒档限速控制器	CDI		1			
11	01224060205	六角法兰螺栓	Hexagon flange bolts	M6x20	2			
12	10709270000	闪光器	Flasher		1			
9	01224060125	六角法兰螺栓	Hexagon flange bolts	M6x12	1			
13	14109350000	启动继电器	Starter relay		1			
14	10409350020	启动继电器防水皮帽	Starter relay water-proof hat		1			
9	01224060125	六角法兰螺栓	Hexagon flange bolts	M6x12	2			
4	01224060165	六角法兰螺栓	Hexagon flange bolts	M6x16	2			
15	01214060355	六角法兰螺栓	Hexagon flange bolts	M6x35	2			
16	04612060025	六角法兰防松螺母	Hexagon flange locking nut	M6	1			
17	13609160000	仪表	Instrument		1			
18	04612050025	六角法兰防松螺母	Hexagon flange locking nut	M5	3			
19	13609360140	前大灯 (近光)	Headlight, low beam		2		0.35kg	
20	13609360130	前大灯 (远光)	Headlight, high beam		2		0.35kg	

ATV800 爆炸图

编制：杨志美

21	3714350125	自攻钉	Tapping screws	ST3.5X12	20			Modified in 17th,oct 2016 2016
22	13609120050	前转向灯(LED)左	Front steering light(LED) Driver side	JUTE WL002	1			Modified in 17th,oct 2016 2016
24	03714420125	自攻钉	Tapping screws	ST4.2X12	4			
23	13609130040	前转向灯(LED)右	Front steering light(LED) Passenger side	JUTE WL002	1			Modified in 17th,oct 2016 2016
24	03714420125	自攻钉	Tapping screws	ST4.2X12	4			
25	13609400000	后转向灯	Rear turn light, LED		2		0.15kg	
26	13609070120	后尾灯	Taillight		2		0.15kg	
27	13609140000	牌照灯	License plate lamp		1		0.05kg	
28	13609090000	电瓶	Battery		1		9.25kg	
29	13609090200	电瓶压板	Battery holder		1		0.10kg	
30	13609090080	电瓶固定挂钩螺栓	Batter mounting hook bolt		2			
31	10909090070	电瓶挂钩碟形螺母	Batter mounting wing nut		2			
32	10409090020	电瓶减震垫	Battery cushion		2			Modified in 17th,oct 2016 2016
33	13609090020	电瓶底部减震垫	Battery botton cushion		1			Modified in 17th,oct 2016 2016
34	90103040030	尼龙扎带	Nylon zip tie	W8x250mm	80			
35	13609010150	负极搭铁线	Ground wire		2			





ATV800 爆炸图

编制：杨志美

18.牵引机3500LBS及拖车								
图号 Item No.	ERP 配件编号	中文名称 Chinese name	英文名称 English name	型号 Specification	单车数量 Quantity	单价 Unit price	重量 (Kgs) Single weight	备注 Remark
	Y3614170010	牵引机总成 (尼龙绳)	Winch assembly(nylon rope)	3500LBS	1			
1	10914150110	牵引机体 (尼龙绳)	Winch body(nylon rope)		1		5.85kg	Modified in 17th,oct 2016 2016
2	10914150120	牵引机固定板	Winch mounting board		1		0.75kg	
3	01214080255	六角法兰螺栓	Hexagon flange bolts	M8x25	4			
4	10914150100	牵引机导缆器	Winch cable chock		1		0.3kg	
5	10914150080	牵引机挂钩	Winch hook		1			
6	10914150090	牵引机拉绳	Winch pull rope		1			
7	13614250100	牵引机与继电器连接线 正极	Cable for winch and relay, anode	L=850mm	1			
	13614250100	牵引机与继电器连接线 负极	Cable for winch and relay, cathode	L=1000mm	1			
9	13614250080	继电器与电瓶连接线 正极	Cable for relay and battery, anode	L=400mm	1			
10	13614250090	继电器与电瓶连接线 负极	Cable for winch and battery, cathode	L=400mm	1			
11	13614250100	牵引机防水皮帽 (红色)	Winch water-proof hat(red)		3			
12	13614250110	牵引机防水皮帽 (黑色)	Winch water-proof hat(black)		3			
13	10914150020	牵引机继电器	Winch reply		1			
14	01224060205	六角法兰螺栓	Hexagon flange bolts	M6x20	4			
15	13614250130	牵引机控制手柄	Winch controlling handle bar		1			
16	10914050050	牵引机说明书	Winch user manual		1			
17	10914060100	牵引机 控制盒	Winch control box		1			
18	10914150020	牵引机 控制盒盖	Winch control box cap		1			
后拖车								
17	10908420080	牵引拖车挂钩 (不带固定板)	Tailer hook(without mounting board)		1			

18	10908420030	拖车挂钩固定销	Tailer hook mounting pin			1			
19	10908420040	拖车挂钩开口销	Tailer hook cotter			1			
20	10408420010	拖车球头	Tailer ball			1			
3	01214080255	六角法兰螺栓	Hexagon flange bolts	M8x25		1			
21	04212080025	六角螺母	Hexagon bolt	M8		1			

WARNING
Off road use only

MADE IN CHINA

WARNING
AIR FILTER
Please check it by you or your authorized dealer after each 1000 miles.

WARNING
ATV-800 (mm)

WARNING
STORAGE
Do not store vehicle in damp areas of low air flow or in a place where moisture is accumulated.

WARNING
It's dangerous to put the Plastic film on head!

WARNING
ENGINE OIL
Please change oil every 1000 miles or after the first 3000 miles, and each 1,000 miles thereafter. Max engine oil capacity: 2.2L.

WARNING
1. ATV must be stopped when changing gears.
2. Apply foot brake.
3. Move shift lever from neutral to reverse.

WARNING
Overloading this ATV or carrying cargo improperly can change handling stability and braking performance and can lead to an accident. Never exceed the maximum front cargo limit of 20kg(44 lbs). Refer to instructions in the Owner's Manual.

WARNING
Overloading this ATV or carrying cargo improperly can change handling stability and braking performance and can lead to an accident. Never exceed the maximum rear cargo limit of 40kg(88 lbs). Refer to instructions in the Owner's Manual.

WARNING
Improper ATV use can result in SEVERE INJURY OR DEATH.

CAUTION
ATV MUST be stopped before shifting gears.
Always apply foot brake to gears shift.

CAUTION
ATV MUST be stopped to engage or disengage 4WD switch. Mechanical damage may occur if clutch is engaged or disengaged while driving.

WARNING
Please note if ATV becomes stuck in mud, sand, or other debris please use winch or another way to free vehicle. Use of the throttle can damage the CVT belt.

WARNING
Always obey local laws for noise.
Always wear a helmet and eye protection.
The speed in the last 300 miles should not be over 25km/hour.
Check the following items before each use:
Tire Pressure
Oil Level
Directional signal and headlight(s) level.

WARNING/AVERTISSEMENT
THIS VEHICLE IS AN ALL TERRAIN VEHICLE AND IS NOT INTENDED FOR USE ON PUBLIC HIGHWAYS. CE VEHICULE EST UN VEHICULE POUR TERREIN ET QU'IL N'EST PAS DESTINE A ETRE UTILISE SUR LES CHENIERES PUBLIQUES.

WARNING
Improper ATV use can result in SEVERE INJURY OR DEATH.

NEVER operate:
• without proper ATV training or instruction.
• at speeds too fast for your skills or the conditions.
• on public roads - collision can occur with another vehicle.
• with a passenger unless passenger seat is securely in place.

THE OPERATOR MUST ALWAYS:
• wear proper safety gear (helmet, eye protection, seat belt and air line when carrying a passenger) without passenger wear is prohibited.
• reduce speed and use extra caution at all times when driving a passenger (without passenger wear is prohibited).
• never use passenger seats and underseats that are not passenger safety seats.

LOCATE AND READ OWNER'S MANUAL. FOLLOW ALL INSTRUCTIONS AND WARNINGS.

WARNING
Towing an improperly loaded trailer can cause loss of control.
• Read owner's manual.
• Tire weight limit: 3750 (20kg) 850 lbs
• Tongue weight: 1370 (61kg) 30 lbs

WARNING
Never carry more than one passenger!
Never drive with a passenger unless passenger seat is securely in place! Passenger must hold onto the handgrips during riding!

WARNING
passengers under 12 are prohibited, passenger should be well seated & hold tight the handgrip.

WARNING
Improper tire pressure or overloading can cause loss of control. Loss of control can result in severe injury or death.
• Cold tire pressure:
Maximum Front: 28psi(193kPa)
Rear: 28psi(193kPa)
Minimum Front: 7psi(42kPa)
Rear: 7psi(42kPa)
• Maximum weight capacity 270kg(600 lbs)

THIS VEHICLE IS INTENDED FOR OFF-ROAD USE ONLY

According to EPA, 40 CFR § 1068.101 Sec(1) For a manufacturer or dealer, EPA may assess a civil penalty up to \$ 37,500 for each engine or piece of equipment in violation. For anyone else, EPA may assess a civil penalty up to \$ 3,750 for each day an engine or piece of equipment is operated in violation.

SHANDONG LIANGZI POWER CO., LTD

Model: _____ Manufactured Date: _____

MADE IN CHINA

SHANDONG LIANGZI POWER CO.,LTD certify that this ATV complies with the American National Standard for Four Wheel All-Terrain Vehicles, ANSI/SVIA-1-2007 Stardard. This ATV is subject to LIL PICK UP INC'S Action Plan approved by U.S. Consumer Products Safety Commission.

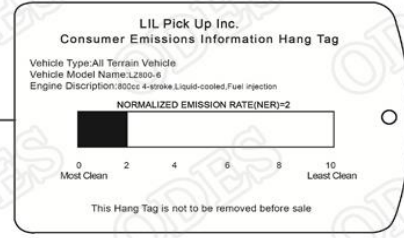
VEHICLE EMISSION CONTROL INFORMATION
IMPORTED BY LIL PICK UP INC.

THIS VEHICLE IS CERTIFIED TO OPERATE ON UNLEADED GASOLINE.

THIS VEHICLE MEETS US EPA REGULATIONS FOR 2017 MODEL YEAR NEW ATV/UTV/OFV/FRV/UV AND IS CERTIFIED TO 1.5G/KM HC+NOx, 35G/KM CO EPA STANDARD.

ENGINE DISPLACEMENT: 800 cc
ENGINE FAMILY: LILPX 800CC PERMATION FAMILY: LPLP METAL 01
ENGINE EXHAUST EMISSION CONTROL SYSTEM: TWC, MF1, HO2S
ENGINE TUNEUP SPECIFICATIONS: (READ OWNER'S MANUAL FOR MORE DETAILS)
IDLE SPEED: 1250 ± 100 rpm
VALVE CLEARANCE: IN 0.09mm EX 0.15 mm
LUBRICANT: SAE 10W40
SPARK PLUG: NGK/DCPR7E
SPARK PLUG GAP: 0.7-0.8mm
NO OTHER ADJUSTMENT NEEDED
FUEL: GASOLINE 93 OCTANE OR HIGHER

LIL PICKUP MANUFACTURED BY SHANDONG LIANGZI POWER CO., LTD.
MADE IN CHINA
MANUFACTURED: ____/____/____ (MMYY)



LIL PICK UP INC. **LIL PICKUP**

VIN NO: _____

ENGINE NO: _____

QC TESTS PASSED: _____

WARNING
Improper ATV use can result in SEVERE INJURY OR DEATH.

NEVER operate:
• without proper training or instruction.
• at speeds too fast for your skills or the conditions.
• on public roads - collision can occur with another vehicle.
• with a passenger - passengers affect balance and steering and increase risk of losing control.

ALWAYS:
• use proper riding techniques to avoid vehicle overturns on hills and rough terrain.

- **ATV TYPE:** Type 1 Category G, GENERAL USE MODEL. This ATV is for RECREATIONAL or UTILITY USE. NO OPERATOR UNDER AGE 16.
- **OPERATOR ONLY - NO PASSENGERS.**
- Training courses to teach ATV riding are available. For information contact your dealer.
- Check with your dealer to find out about state or local laws regarding ATV operation.
- This hang tag is not to be removed before sale.
- Suggestion: DON'T USE THIS VEHICLE OVER 5 YEARS!

THIS HANG TAG MAY ONLY BE REMOVED BY THE ULTIMATE CONSUMER AFTER THE

ATV Safety Alert

Join a Better Class of Riders.

ATV Safety Alert

www.atvsafety.org

ATV Safety Alert

THE ULTIMATE CONSUMER MUST REMOVE THIS HANG TAG AFTER THE VEHICLE IS SOLD TO THE ULTIMATE CONSUMER.

ATV Safety Alert

ATV800 爆炸图

编制：杨志美

and in turns.
•avoid paved surfaces-pavement may seriously affect handling and control.

LOCATE AND READ OWNER'S MANUAL. FOLLOW ALL INSTRUCTIONS AND WARNINGS

VEHICLE HAS BEEN PURCHASED.



QC TESTS PASSED. _____

DATE: _____

ATV800 爆炸图

编制：杨志美

19.警示语及铭牌、吊牌								
图号 Item No.	ERP 配件编号	中文名称 Chinese name	英文名称 English name	型号 Specification	单车数量 Quantity	单价 Unit price	重量 (Kgs) Single weight	备注 Remark
1	13613010010	警示语 (美标)	Warning sticker		1			
2	10113020271	EPA非上路铭牌	EPA off road nameplate		1			
3	10413020081	车架号铭牌 (美标通用)	Vin plate		1			
4	10413020050	行动计划铭牌 (ATV专用)	Action name plate		1			
5	10913020430	EPA排放铭牌 (2017年不带CARB)	EPA emissions nameplate (2017year)		1			
6	10413030010	警示语吊牌 16岁 (ATV专用)	Warning hanging plate 16 years old		1			
7	10413030030	ASI吊牌 (ATV专用)	ASI hanging plate		1			
8	10413030070	ATV通用吊牌 (ATV专用)	ATV universal plate		1			
9	13613030210	EPA排放吊牌	EPA emssions hanging plate		1			
10	10413030040	合格证 (美标)	Certificate card		1			